

NOTES:

1. SUBSTRATE:
ELEMENT A: S-FSL5
ELEMENT B: N-SF57
2. CENTERING: 3-5 ARCMIN
3. COATING:
S1: R(AVG) ≤ 0.4% FROM 425-675nm @ 0° AOI
S2, S3, & S4: NONE

4. FINE GRIND SURFACE

5. ELEMENTS TO BE CEMENTED WITH NORLAND OPTICAL ADHESIVE
NOA 61

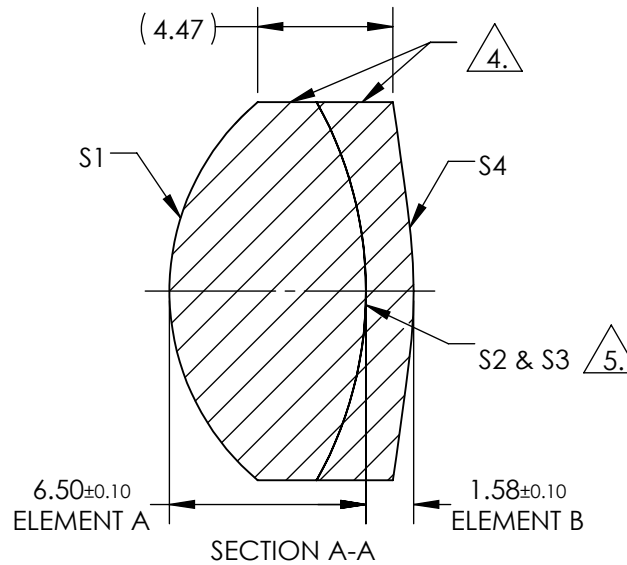
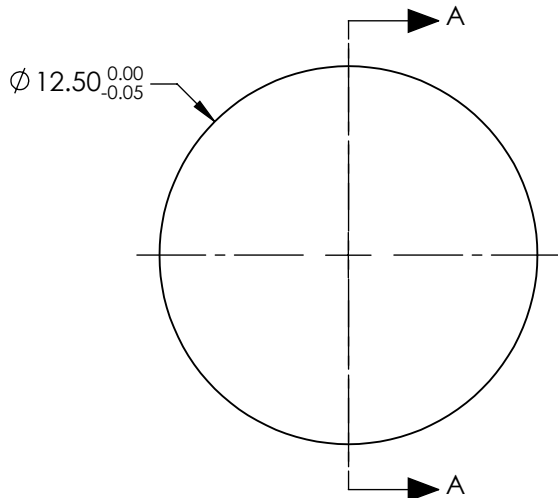
6. POLYMER ASPHERE APPLIED TO S4 OF ACHROMAT:

MATERIAL: $n_d=1.517$, $V_d=52.0$

CENTER THICKNESS: 0.080mm ADDED TO S4

CLEAR APERTURE(CENTERED ON S4 WITH NO MACRO DEFECTS):

$$Z_{ASPH}(Y) = \frac{(\sqrt{RADIUS})^2 * Y^2}{1 + \sqrt{1 - (1+k) * (\sqrt{RADIUS})^2 * Y^2}} + D * Y^2 + E * Y^4 + F * Y^6 + G * Y^8 + H * Y^{10} + J * Y^{12} + L * Y^{14}$$



COEFFICIENT TABLE 6.	
COEFFICIENT	S1
SEMI-DIAMETER	5.750000E+00
(1/RADIUS)	-6.308658E-02
k	0.000000E+00
D	0.000000E+00
E	6.406732E-04
F	-6.524141E-06
G	0.000000E+00
H	0.000000E+00
J	0.000000E+00
L	0.000000E+00

SPECIFICATIONS SUBJECT TO CHANGE WITHOUT NOTICE
DIMENSIONS ARE FOR REFERENCE ONLY

	S1	S2	S3	S4
SHAPE	CONVEX	CONVEX	CONCAVE	CONVEX
RADIUS	8.15	12.80	12.80	15.85 6.
SURFACE QUALITY	60-40	60-40	60-40	60-40
MIN CLEAR APERTURE	Ø11.50	Ø11.50	Ø11.50	Ø10.50
BEVEL MAX FACE	PROTECTIVE AS NEEDED	PROTECTIVE AS NEEDED	PROTECTIVE AS NEEDED	PROTECTIVE AS NEEDED

EFL: 14.00mm				Edmund Optics®	
BFL: 9.89mm					
THIRD ANGLE PROJECTION		TITLE	12.5mm DIAMETER x 14mm EFL ASPHERIZED ACHROMATIC LENS		
ALL DIMS IN	mm	DWG NO	49658	SHEET 1 OF 1	

**FOR INFORMATION ONLY:
DO NOT MANUFACTURE
PARTS TO THIS DRAWING**