

NOTES:

1. SUBSTRATE:
ELEMENT A: N-LAK8
ELEMENT B: N-SF57
2. CENTERING: 3-5 ARCMIN
3. COATING:
S1: R(AVG) ≤ 0.4% FROM 425-675nm @ 0° AOI
S2, S3, & S4: NONE

4. FINE GRIND SURFACE

5. ELEMENTS TO BE CEMENTED WITH NORLAND OPTICAL ADHESIVE
NOA 61

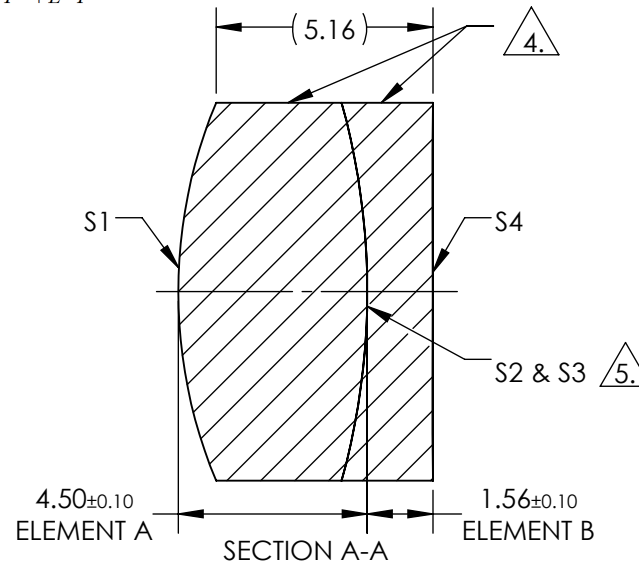
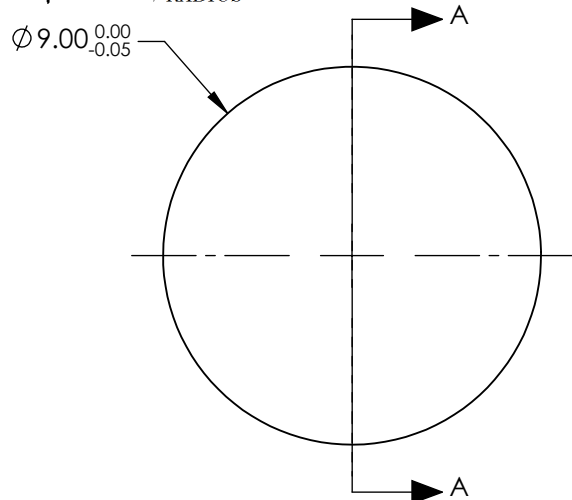
6. POLYMER ASPHERE APPLIED TO S4 OF ACHROMAT:

MATERIAL: $n_d=1.517$, $V_d=52.0$

CENTER THICKNESS: 0.060mm ADDED TO S4

CLEAR APERTURE(CENTERED ON S4 WITH NO MACRO DEFECTS):

$$Z_{ASPH}(Y) = \frac{(\sqrt{RADIUS})^2 * Y^2}{1 + \sqrt{1 - (1+k) * (\sqrt{RADIUS})^2 * Y^2}} + D * Y^2 + E * Y^4 + F * Y^6 + G * Y^8 + H * Y^{10} + J * Y^{12} + L * Y^{14}$$



COEFFICIENT TABLE 6.	
COEFFICIENT	S1
SEMI-DIAMETER	4.000000E+00
(1/RADIUS)	-0.306755E-02
k	0.000000E+00
D	0.000000E+00
E	1.006099E-04
F	-7.135210E-07
G	0.000000E+00
H	0.000000E+00
J	0.000000E+00
L	0.000000E+00

SPECIFICATIONS SUBJECT TO CHANGE WITHOUT NOTICE
DIMENSIONS ARE FOR REFERENCE ONLY

	S1	S2	S3	S4
SHAPE	CONVEX	CONVEX	CONCAVE	CONCAVE
RADIUS	7.56	12.80	12.80	325.99 6.
SURFACE QUALITY	60-40	60-40	60-40	60-40
MIN CLEAR APERTURE	Ø8.10	Ø8.10	Ø8.10	Ø7.50
BEVEL MAX FACE	PROTECTIVE AS NEEDED	PROTECTIVE AS NEEDED	PROTECTIVE AS NEEDED	PROTECTIVE AS NEEDED

EFL: 18.41mm

BFL: 14.66mm

Edmund Optics®

THIRD ANGLE PROJECTION

TITLE

9mm DIAMETER x 18mm EFL ASPHERIZED
ACHROMATIC LENS

ALL DIMS IN

mm

DWG NO

49656

SHEET
1 OF 1

**FOR INFORMATION ONLY:
DO NOT MANUFACTURE
PARTS TO THIS DRAWING**