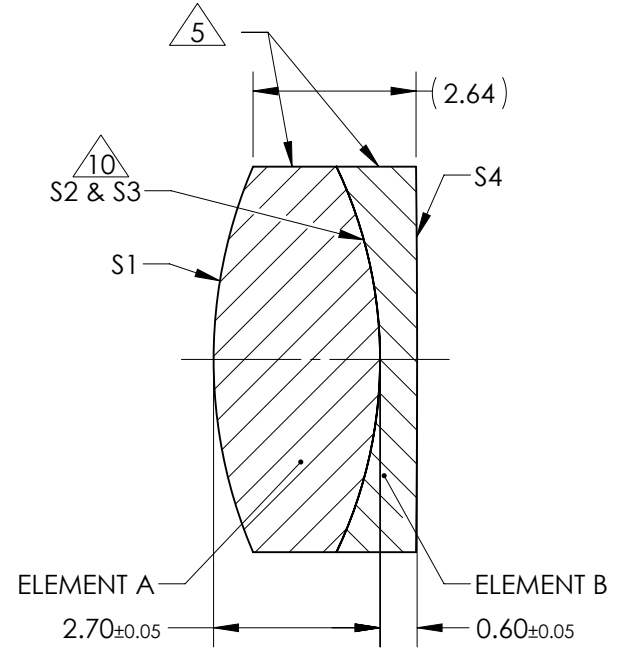
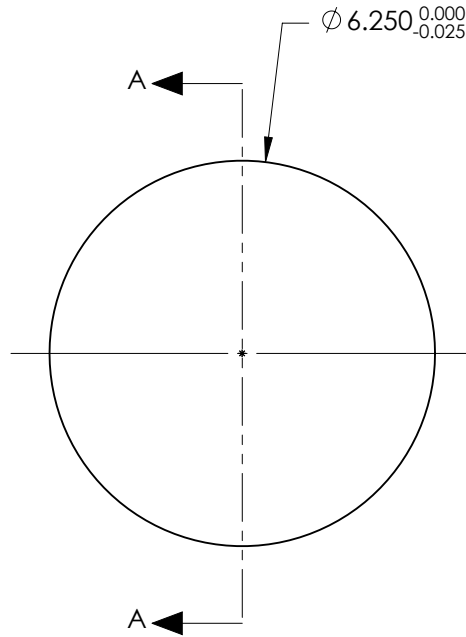


NOTES:

1. SUBSTRATE:
ELEMENT A: GRADE A FINE ANNEALED
SCHOTT: N-SSK8 618/498

ELEMENT B: GRADE A FINE ANNEALED
SCHOTT: N-SF10 728/284
2. ROHS COMPLIANT
3. CENTERING TOLERANCE (AT 587.6nm):
BEAM DEVIATION (HALF ANGLE): <1 ARCMIN
4. COATING (APPLY ACROSS COATING APERTURE)

S1 & S4: VIS-NIR
R(ABS) ≤ 0.25% AT 880nm @ 0° AOI
R(AVG) ≤ 1.25% FROM 400-870nm @ 0° AOI
R(AVG) ≤ 1.25% FROM 890-1000nm @ 0° AOI
S2 & S3: NONE
5. FINE GRIND SURFACE
6. POWER, IRREGULARITY, AND SURFACE QUALITY SPECIFICATIONS APPLY ACROSS CLEAR APERTURE
7. FOCAL LENGTH (EFL): 15.00mm ±2%
BACK FOCAL LENGTH (BFL): 12.73mm
8. PROTECTIVE BEVEL AS NEEDED
9. DESIGN WAVELENGTH: 587.6nm
10. ELEMENTS TO BE CEMENTED WITH NORLAND OPTICAL ADHESIVE NOA61



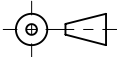
SECTION A-A

**FOR INFORMATION ONLY:
DO NOT MANUFACTURE
PARTS TO THIS DRAWING**

| ELEMENT TITLE | SPECIFICATIONS AFTER CEMENTING | | | |
|-------------------------|--------------------------------|------------|------------|------------|
| | ELEMENT A | | ELEMENT B | |
| SURFACE | S1 | S2 | S3 | S4 |
| SHAPE | CONVEX | CONVEX | CONCAVE | CONVEX |
| RADIUS | 7.95 | 7.25 | 7.25 | 277.83 |
| SURFACE QUALITY | 40 - 20 | 40 - 20 | 40 - 20 | 40 - 20 |
| MIN CLEAR APERTURE | ∅ 5.63 | ∅ 5.63 | ∅ 5.63 | ∅ 5.63 |
| MIN COATING APERTURE | ∅ 5.25 | N/A | N/A | ∅ 5.25 |
| POWER AT 632.8nm | 3.00 RINGS | 3.00 RINGS | 3.00 RINGS | 3.00 RINGS |
| IRREGULARITY AT 632.8nm | 0.50 RINGS | 0.50 RINGS | 0.50 RINGS | 0.50 RINGS |

SPECIFICATIONS SUBJECT TO CHANGE WITHOUT NOTICE
DIMENSIONS ARE FOR REFERENCE ONLY

EO® Edmund Optics®

THIRD ANGLE PROJECTION 

ALL DIMS IN mm

| | | |
|--------|--|--------------|
| TITLE | 6.25mm Dia. x 15mm FL, VIS-NIR Coated, Achromatic Lens | |
| DWG NO | 49305 | SHEET 1 OF 1 |