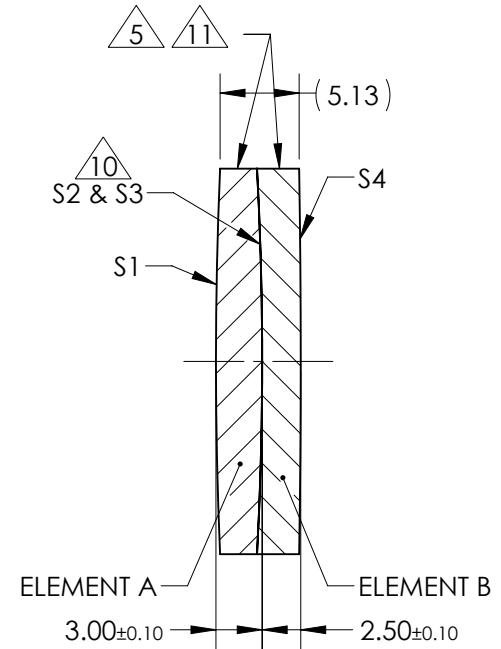
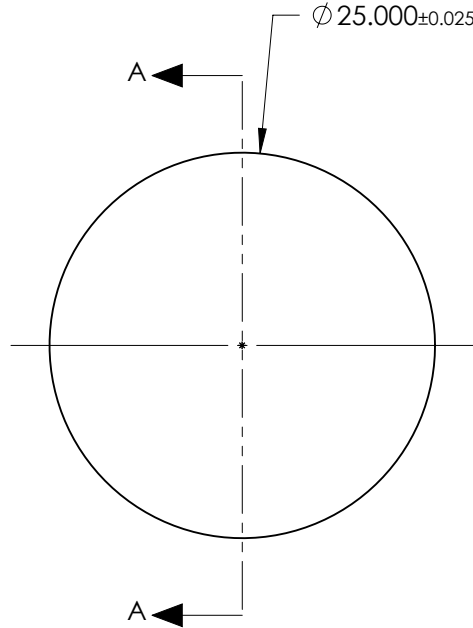


NOTES:

1. SUBSTRATE:  
ELEMENT A: GRADE A FINE ANNEALED  
SCHOTT: N-BK7 517/642  
  
ELEMENT B: GRADE A FINE ANNEALED  
SCHOTT: N-SF5 673/322
2. ROHS COMPLIANT
3. CENTERING TOLERANCE (AT 587.6nm):  
BEAM DEVIATION (HALF ANGLE): <1 ARCMIN
4. COATING (APPLY ACROSS COATING APERTURE)  
S1 & S4: VIS 0°  
R(AVG) ≤ 0.4% FROM 425-675nm @ 0° AOI  
S2 & S3: NONE

- △5. FINE GRIND SURFACE
- 6. POWER, IRREGULARITY, AND SURFACE QUALITY SPECIFICATIONS APPLY ACROSS CLEAR APERTURE
- 7. FOCAL LENGTH (EFL): 500.00mm ±2%  
BACK FOCAL LENGTH (BFL): 497.57mm
- 8. PROTECTIVE BEVEL AS NEEDED
- 9. DESIGN WAVELENGTH: 587.6nm
- △10. ELEMENTS TO BE CEMENTED WITH NORLAND OPTICAL ADHESIVE NOA61
- △11. BLACKENED SURFACE



SECTION A-A

**FOR INFORMATION ONLY:  
DO NOT MANUFACTURE  
PARTS TO THIS DRAWING**

| ELEMENT TITLE           | SPECIFICATIONS AFTER CEMENTING |            |            |            |
|-------------------------|--------------------------------|------------|------------|------------|
|                         | ELEMENT A                      |            | ELEMENT B  |            |
| SURFACE                 | S1                             | S2         | S3         | S4         |
| SHAPE                   | CONVEX                         | CONVEX     | CONCAVE    | CONVEX     |
| RADIUS                  | 290.71                         | 232.07     | 232.07     | 750.52     |
| SURFACE QUALITY         | 40 - 20                        | 40 - 20    | 40 - 20    | 40 - 20    |
| MIN CLEAR APERTURE      | ∅ 24.00                        | ∅ 24.00    | ∅ 24.00    | ∅ 24.00    |
| MIN COATING APERTURE    | ∅ 24.00                        | N/A        | N/A        | ∅ 24.00    |
| POWER AT 632.8nm        | 3.00 RINGS                     | 3.00 RINGS | 3.00 RINGS | 3.00 RINGS |
| IRREGULARITY AT 632.8nm | 0.50 RINGS                     | 0.50 RINGS | 0.50 RINGS | 0.50 RINGS |

SPECIFICATIONS SUBJECT TO CHANGE WITHOUT NOTICE  
DIMENSIONS ARE FOR REFERENCE ONLY

**EO**® Edmund Optics®

|                        |             |   |        |
|------------------------|-------------|---|--------|
| THIRD ANGLE PROJECTION | TITLE       | 25mm Dia. x 500mm FL, VIS 0, Inked, Achromatic Lens |        |
|                        | ALL DIMS IN | mm  |        |
| DWG NO                 | 47651INK    | SHEET   | 1 OF 1 |