

NOTES:

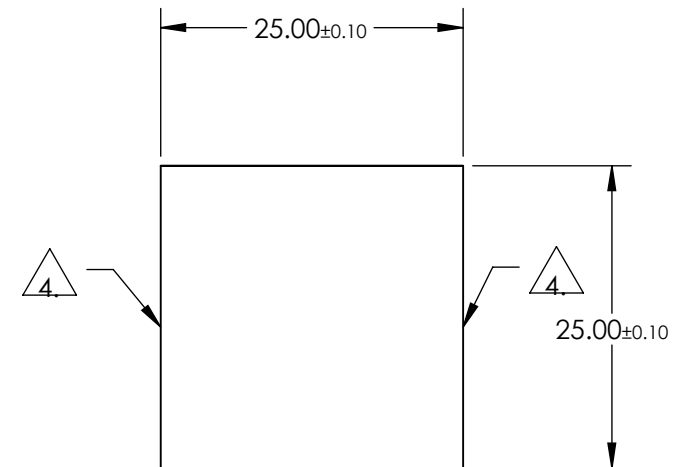
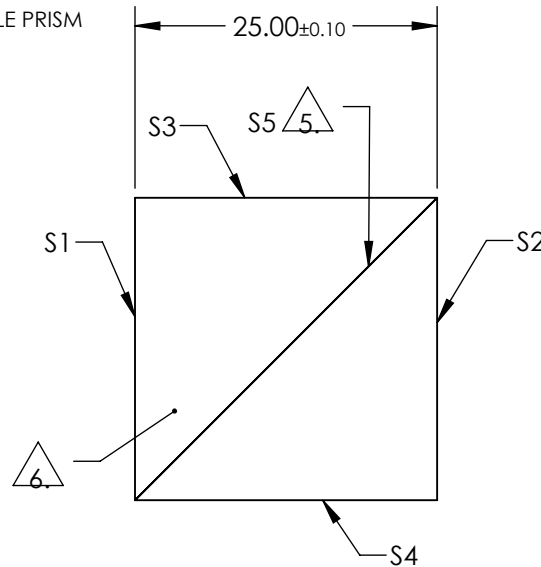
1. SUBSTRATE:
N-BK7
2. CENTERING TOLERANCE (AT 587.6nm):
BEAM DEVIATION: ≤ 2 ARCMIN
3. COATING (APPLY ACROSS CLEAR APERTURE):
Telecom
S1, S2, S3, & S4: R(AVG) $< 0.5\%$ @ 1100 - 1620nm
S5: MULTILAYER DIELECTRIC TO ACHIEVE:
TRANSMISSION $> 45\% \pm 5\%$
POLARIZATION $< 6\%$

FOR INFORMATION ONLY:
DO NOT MANUFACTURE
PARTS TO THIS DRAWING

4. FINE GROUND SURFACE

5. ELEMENTS TO BE CEMENTED WITH NORLAND OPTICAL ADHESIVE NOA 61

6. MARK IDENTIFIES BEAMSPLITTED COATED RIGHT ANGLE PRISM



SPECIFICATIONS SUBJECT TO CHANGE WITHOUT NOTICE
DIMENSIONS ARE FOR REFERENCE ONLY

	S1	S2
SHAPE	PLANO	PLANO
SURFACE ACCURACY	1/8 WAVE	1/8 WAVE
SURFACE QUALITY	40-20	40-20
CLEAR APERTURE	$> 90\%$	$> 90\%$



ALL DIMS IN

mm

EO® Edmund Optics®

TITLE

25mm 1100-1620nm, Non-Polarizing Cube
Beamsplitter

DWG NO

47236

SHEET
1 OF 1