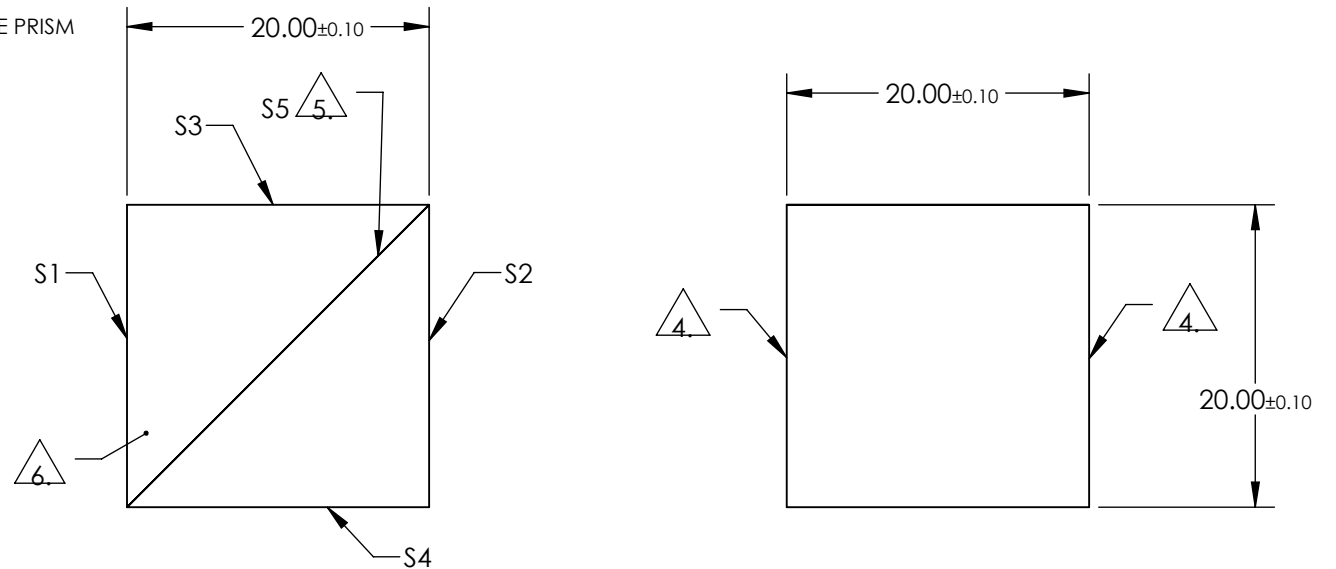


NOTES:

1. SUBSTRATE:
N-BK7
2. CENTERING TOLERANCE (AT 587.6nm):
BEAM DEVIATION: ≤ 2 ARCMIN
3. COATING (APPLY ACROSS CLEAR APERTURE):
VIS
S1, S2, S3, & S4: R(AVG) $< 0.5\%$ @ 430 - 670nm
S5: MULTILAYER DIELECTRIC TO ACHIEVE:
TRANSMISSION $> 45\% \pm 5\%$
POLARIZATION $< 6\%$

FOR INFORMATION ONLY:
DO NOT MANUFACTURE
PARTS TO THIS DRAWING

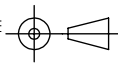
4. FINE GROUND SURFACE
5. ELEMENTS TO BE CEMENTED WITH NORLAND OPTICAL ADHESIVE NOA 61
6. MARK IDENTIFIES BEAMSPLITTED COATED RIGHT ANGLE PRISM



SPECIFICATIONS SUBJECT TO CHANGE WITHOUT NOTICE
DIMENSIONS ARE FOR REFERENCE ONLY

EO® Edmund Optics®

	S1	S2
SHAPE	PLANO	PLANO
SURFACE ACCURACY	1/8 WAVE	1/8 WAVE
SURFACE QUALITY	40-20	40-20
CLEAR APERTURE	$> 90\%$	$> 90\%$

THIRD ANGLE PROJECTION 

ALL DIMS IN mm

TITLE	20mm VIS, Non-Polarizing Cube Beamsplitter		
DWG NO	47122	SHEET	1 OF 1