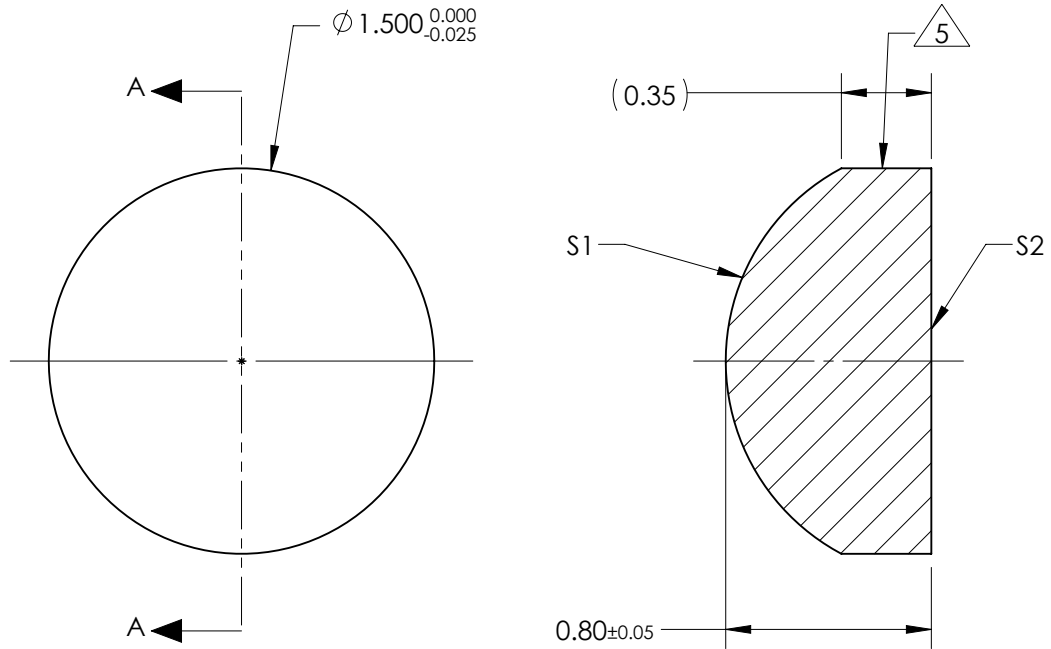


NOTES:

1. SUBSTRATE:  
GRADE A FINE ANNEALED  
SCHOTT: N-LaSF9 850/322
2. ROHS COMPLIANT
3. CENTERING TOLERANCE (AT 587.6nm):  
BEAM DEVIATION (HALF ANGLE): <45 ARCMIN
4. COATING (APPLY ACROSS COATING APERTURE)  
S1 & S2: TELECOM-NIR  
R(ABS) ≤ 0.25% FROM 1295-1325nm @ 0° AOI  
R(ABS) ≤ 0.25% FROM 1535-1565nm @ 0° AOI  
R(AVG) ≤ 0.25% FROM 1200-1600nm @ 0° AOI
5. FINE GRIND SURFACE
6. POWER, IRREGULARITY, AND SURFACE QUALITY SPECIFICATIONS APPLY ACROSS CLEAR APERTURE
7. FOCAL LENGTH (EFL): 1.00mm±1%  
BACK FOCAL LENGTH (BFL): 0.57mm
8. PROTECTIVE BEVEL AS NEEDED
9. DESIGN WAVELENGTH: 587.6nm



SECTION A-A

**FOR INFORMATION ONLY:  
DO NOT MANUFACTURE  
PARTS TO THIS DRAWING**

|                         | S1          | S2          |
|-------------------------|-------------|-------------|
| SHAPE                   | CONVEX      | PLANO       |
| RADIUS                  | 0.85        | INFINITY    |
| SURFACE QUALITY         | 20 - 10     | 20 - 10     |
| MIN CLEAR APERTURE      | $\phi 1.00$ | $\phi 1.00$ |
| MIN COATING APERTURE    | $\phi 1.00$ | $\phi 1.00$ |
| POWER AT 632.8nm        | 3.00 RINGS  | 3.00 RINGS  |
| IRREGULARITY AT 632.8nm | 0.50 RINGS  | 0.50 RINGS  |

SPECIFICATIONS SUBJECT TO CHANGE WITHOUT NOTICE  
DIMENSIONS ARE FOR REFERENCE ONLY

**EO**® Edmund Optics®

|                        |    |        |  |              |
|------------------------|----|--------|--|--------------|
| THIRD ANGLE PROJECTION |    | TITLE  | 1.5mm Dia. x 1.0mm FL, Telecom-NIR Coated, Plano-Convex Lens |              |
| ALL DIMS IN            | mm | DWG NO | 45968  | SHEET 1 OF 1 |