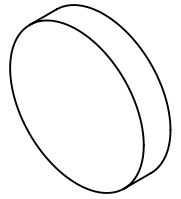
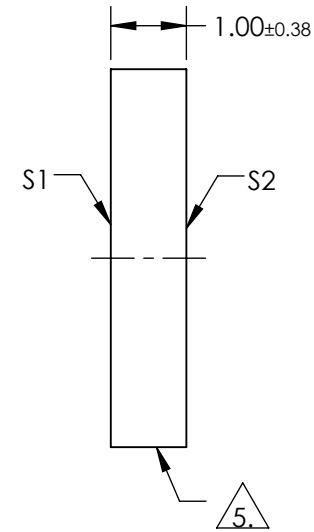
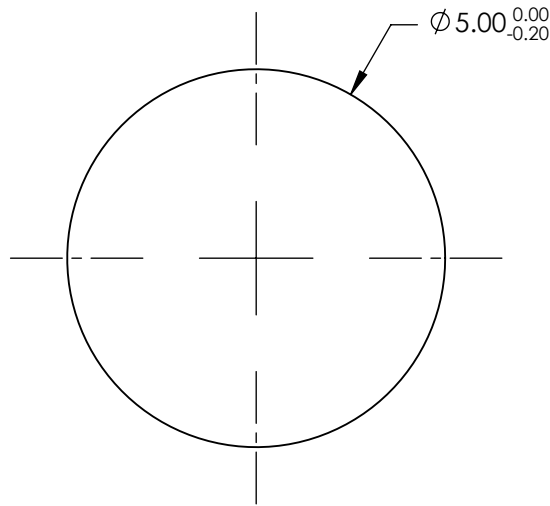


NOTES:

1. SUBSTRATE: FUSED SILICA
2. RoHS: COMPLIANT
3. SURFACE S2 TO BE PARALLEL TO SURFACE S1 TO WITHIN < 5 ARCMIN
4. COATING (APPLY ACROSS COATING APERTURE)  
 S1 & S2: R(ABS) ≤ 1.0% FROM 250 - 425nm  
 R(AVG) ≤ 0.75% FROM 250 - 425nm  
 R(AVG) ≤ 0.5% FROM 370 - 420nm



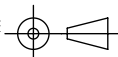
5. FINE GRIND SURFACE



**FOR INFORMATION ONLY:  
DO NOT MANUFACTURE  
PARTS TO THIS DRAWING**

SPECIFICATIONS SUBJECT TO CHANGE WITHOUT NOTICE  
DIMENSIONS ARE FOR REFERENCE ONLY

	S1	S2
SHAPE	PLANO	PLANO
SURFACE ACCURACY	1λ	1λ
SURFACE QUALITY	60-40	60-40
CLEAR APERTURE	Ø4.50	Ø4.50
BEVEL	PROTECTIVE AS NEEDED	PROTECTIVE AS NEEDED

THIRD ANGLE PROJECTION 

ALL DIMS IN mm

**EO**® Edmund Optics®

TITLE	5mm DIA. UV AR COATED, 1λ FUSED SILICA WINDOW	
DWG NO	45807	SHEET 1 OF 1