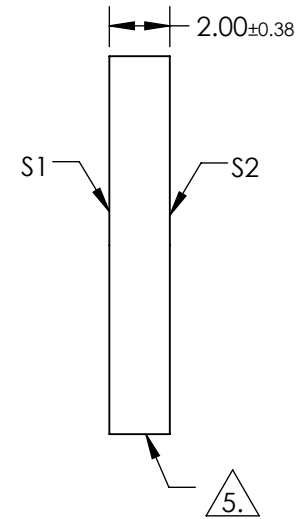
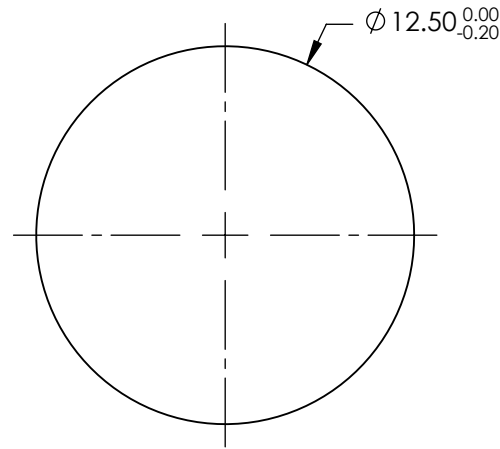
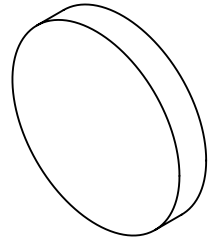


NOTES:

1. SUBSTRATE: FUSED SILICA
2. RoHS: COMPLIANT
3. SURFACE S2 TO BE PARALLEL TO SURFACE S1 TO WITHIN < 5 ARCMIN
4. COATING (APPLY ACROSS COATING APERTURE)  
S1 & S2: NONE

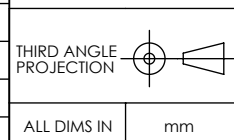
5. FINE GRIND SURFACE



**FOR INFORMATION ONLY:  
DO NOT MANUFACTURE  
PARTS TO THIS DRAWING**

SPECIFICATIONS SUBJECT TO CHANGE WITHOUT NOTICE  
DIMENSIONS ARE FOR REFERENCE ONLY

	S1	S2
SHAPE	PLANO	PLANO
SURFACE ACCURACY	1λ	1λ
SURFACE QUALITY	60-40	60-40
CLEAR APERTURE	Ø11.25	Ø11.25
BEVEL	PROTECTIVE AS NEEDED	PROTECTIVE AS NEEDED



**EO**® Edmund Optics®

TITLE	12.5mm DIA. UNCOATED, 1λ FUSED SILICA WINDOW
DWG NO	45309
SHEET	1 OF 1