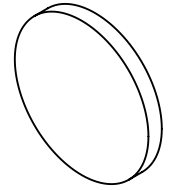
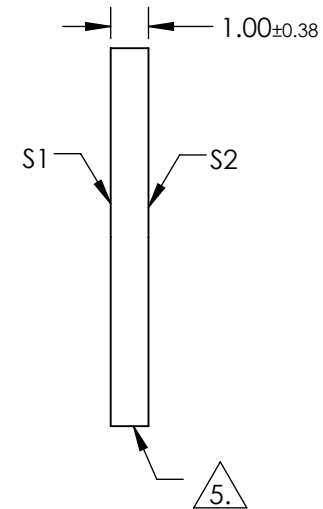
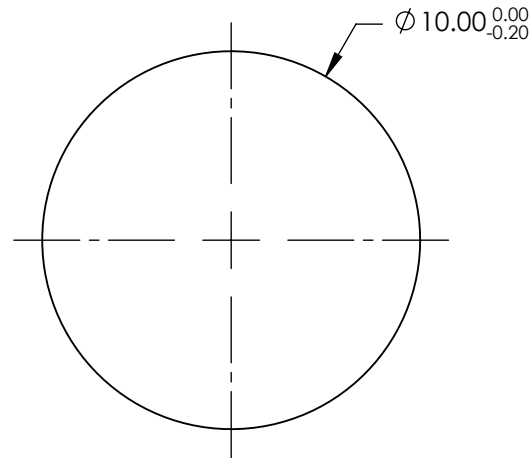


NOTES:

1. SUBSTRATE: FUSED SILICA
2. RoHS: COMPLIANT
3. SURFACE S2 TO BE PARALLEL TO SURFACE S1 TO WITHIN < 5 ARCMIN
4. COATING (APPLY ACROSS COATING APERTURE)
S1 & S2: NONE



5. FINE GRIND SURFACE



**FOR INFORMATION ONLY:
DO NOT MANUFACTURE
PARTS TO THIS DRAWING**

SPECIFICATIONS SUBJECT TO CHANGE WITHOUT NOTICE
DIMENSIONS ARE FOR REFERENCE ONLY

	S1	S2
SHAPE	PLANO	PLANO
SURFACE ACCURACY	1 λ	1 λ
SURFACE QUALITY	60-40	60-40
CLEAR APERTURE	$\varnothing 9.00$	$\varnothing 9.00$
BEVEL	PROTECTIVE AS NEEDED	PROTECTIVE AS NEEDED

THIRD ANGLE PROJECTION

ALL DIMS IN

mm

Edmund Optics®

TITLE

10mm DIA. UNCOATED, 1 λ FUSED SILICA WINDOW

DWG NO

45308

SHEET
1 OF 1