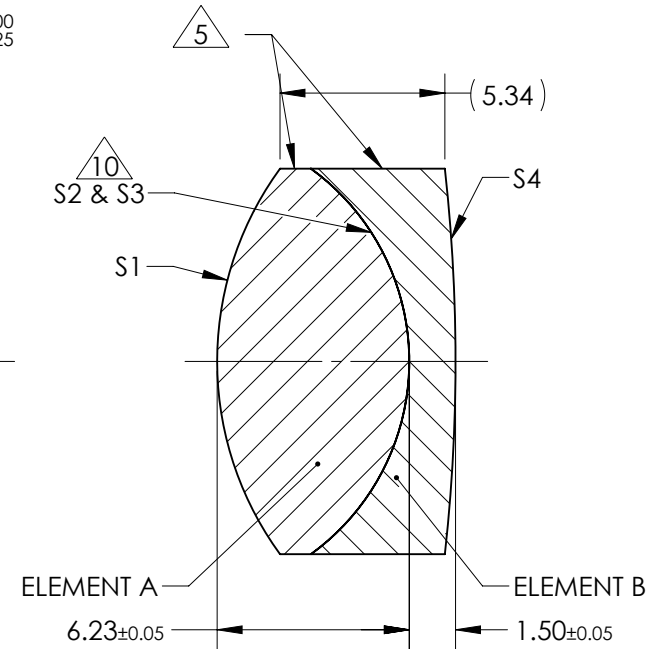
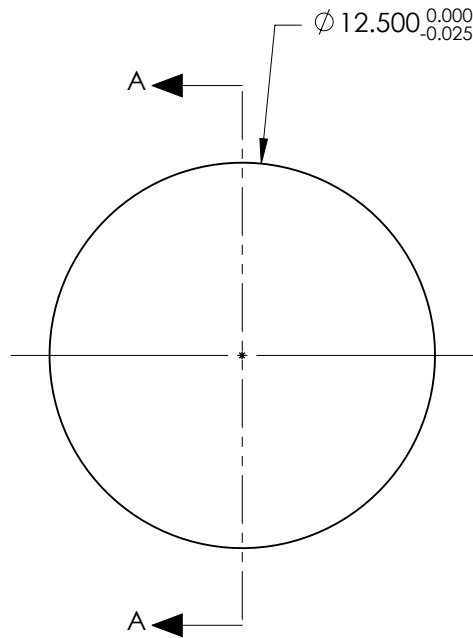


NOTES:

1. SUBSTRATE:
ELEMENT A: GRADE A FINE ANNEALED
SCHOTT: N-BaF10 670/472

ELEMENT B: GRADE A FINE ANNEALED
SCHOTT: N-SF5 673/322
2. ROHS COMPLIANT
3. CENTERING TOLERANCE (AT 587.6nm):
BEAM DEVIATION (HALF ANGLE): <1 ARCMIN
4. COATING (APPLY ACROSS COATING APERTURE)
S1 & S4:
1/4 WAVE MgF2 @ 550nm
R(AVG) < 1.75% FROM 400-700nm (N-BK7)
S2 & S3: NONE
5. FINE GRIND SURFACE
6. POWER, IRREGULARITY, AND SURFACE QUALITY SPECIFICATIONS APPLY ACROSS CLEAR APERTURE
7. FOCAL LENGTH (EFL): 14.00mm ±2%
BACK FOCAL LENGTH (BFL): 9.92mm
8. PROTECTIVE BEVEL AS NEEDED
9. DESIGN WAVELENGTH: 587.6nm
10. ELEMENTS TO BE CEMENTED WITH NORLAND OPTICAL ADHESIVE NOA61



SECTION A-A

**FOR INFORMATION ONLY:
DO NOT MANUFACTURE
PARTS TO THIS DRAWING**

| ELEMENT TITLE | SPECIFICATIONS AFTER CEMENTING | | | |
|-------------------------|--------------------------------|------------|------------|------------|
| | ELEMENT A | | ELEMENT B | |
| SURFACE | S1 | S2 | S3 | S4 |
| SHAPE | CONVEX | CONVEX | CONCAVE | CONVEX |
| RADIUS | 10.60 | 7.72 | 7.72 | 56.54 |
| SURFACE QUALITY | 40 - 20 | 40 - 20 | 40 - 20 | 40 - 20 |
| MIN CLEAR APERTURE | Ø 11.50 | Ø 11.50 | Ø 11.50 | Ø 11.50 |
| MIN COATING APERTURE | Ø 11.50 | N/A | N/A | Ø 11.50 |
| POWER AT 632.8nm | 3.00 RINGS | 3.00 RINGS | 3.00 RINGS | 3.00 RINGS |
| IRREGULARITY AT 632.8nm | 0.50 RINGS | 0.50 RINGS | 0.50 RINGS | 0.50 RINGS |

SPECIFICATIONS SUBJECT TO CHANGE WITHOUT NOTICE
DIMENSIONS ARE FOR REFERENCE ONLY

EO® Edmund Optics®

| | | | |
|------------------------|-------------|---|--------------|
| THIRD ANGLE PROJECTION | TITLE | 12.5mm Dia. x 14mm FL, MgF2 Coated, Achromatic Doublet Lens | |
| | ALL DIMS IN | mm | DWG NO 45209 |
| | | | SHEET 1 OF 1 |