

NOTES:

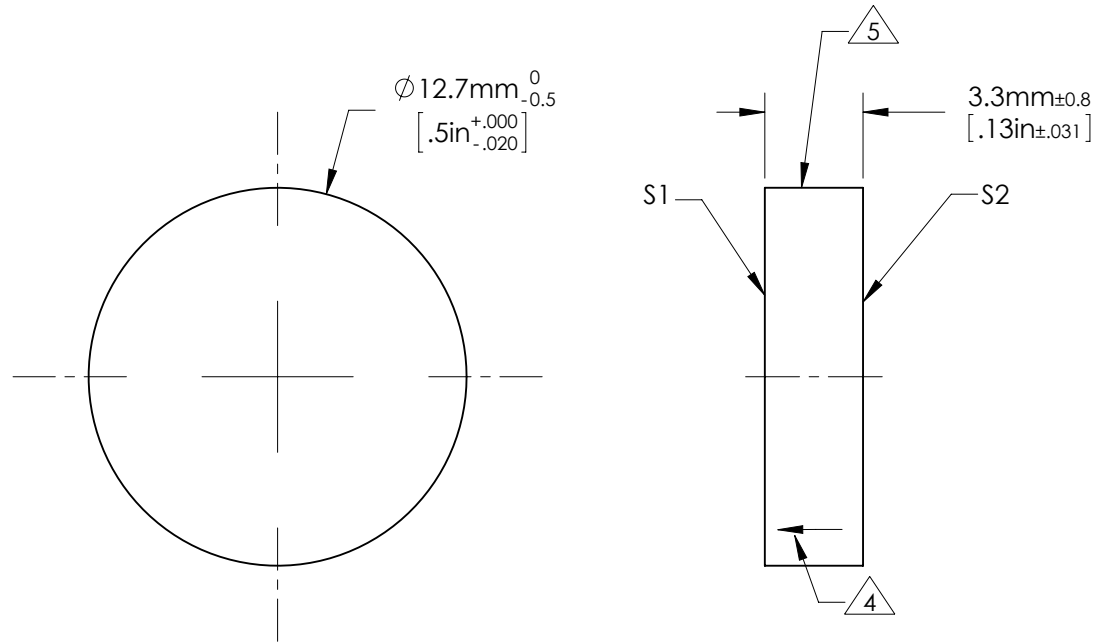
1. ALLOWABLE OPTICAL MATERIAL:  
SCHOTT: ZERODUR 542/562
2. SURFACE S2 TO BE PARALLEL WITH SURFACE S1 TO < 3 ARCMIN
3. COATING (APPLY ACROSS COATING APERTURE)

S1: ENHANCED ALUMINUM  
Ravg ≥ 95% 450-650nm @ 0° AOI


S2: NONE

4. ARROW ON EDGE POINTING TOWARDS SURFACE S1.

5. FINE GROUND SURFACE



**FOR INFORMATION ONLY:  
DO NOT MANUFACTURE PARTS TO THIS DRAWING**

	S1	S2	EFL (AT 587.6nm)	NA	 <b>Edmund Optics®</b>	
SHAPE	PLANO	PLANO				
SURFACE ACCURACY AT 632.8nm	1/20 WAVE	NA	BFL (AT 587.6nm)	NA	TITLE	1/20λ Flat Zerodur 0.5" Dia. Enhanced Aluminum
SURFACE QUALITY	60 - 40	COMMERCIAL POLISH			DWG NO	43404-533
CLEAR APERTURE	∅ 11.4	∅ 11.4	ALL DIMS IN	mm		
BEVEL MAX FACE	0.5 x 45°	0.5 x 45°				