

NOTES:

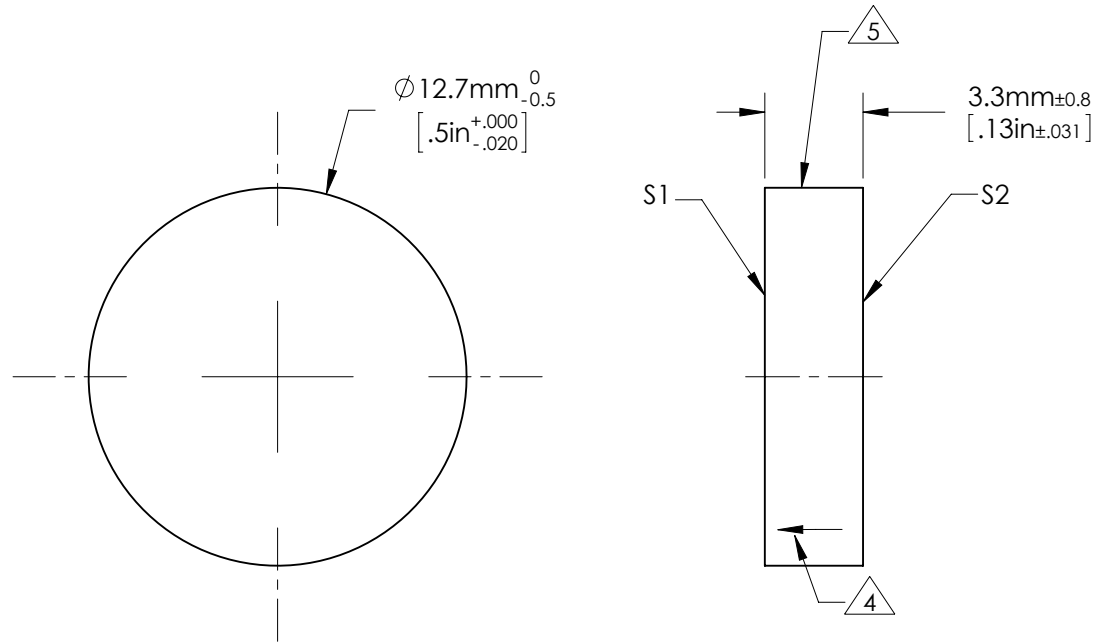
1. ALLOWABLE OPTICAL MATERIAL:
SCHOTT: Fused Silica 458/678
2. SURFACE S2 TO BE PARALLEL WITH SURFACE S1 TO < 3 ARCMIN
3. COATING (APPLY ACROSS COATING APERTURE)

S1: PROTECTED SILVER
 Ravg >98% 500-800nm @ 0° AOI
 Ravg >97% 2,000-10,000nm @ 0° AOI


S2: NONE

4. ARROW ON EDGE POINTING TOWARDS SURFACE S1.

5. FINE GROUND SURFACE



**FOR INFORMATION ONLY:
 DO NOT MANUFACTURE PARTS TO THIS DRAWING**

| | | | | | | |
|-----------------------------|-----------|-------------------|---------------------|----|---|--|
| | S1 | S2 | EFL (AT 587.6nm) | NA |  Edmund Optics® | |
| SHAPE | PLANO | PLANO | | | | |
| SURFACE ACCURACY AT 632.8nm | 1/20 WAVE | NA | BFL (AT 587.6nm) | NA | TITLE | 1/20λ Flat Fused Silica 0.5" Dia. Protected Silver |
| SURFACE QUALITY | 60 - 40 | COMMERCIAL POLISH | | | DWG NO | 43400-577 |
| CLEAR APERTURE | ∅ 11.4 | ∅ 11.4 | | | | |
| BEVEL MAX FACE | 0.5 x 45° | 0.5 x 45° | ALL DIMS IN | mm | | |