

NOTES:

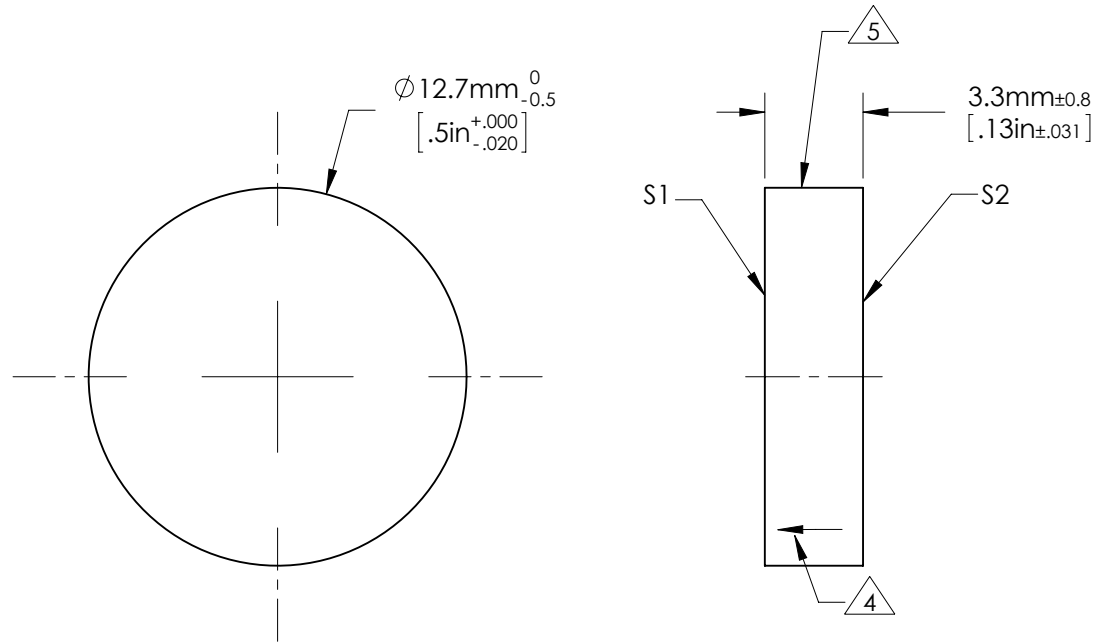
1. ALLOWABLE OPTICAL MATERIAL:
SCHOTT: ZERODUR 542/562
2. SURFACE S2 TO BE PARALLEL WITH SURFACE S1 TO < 3 ARCMIN
3. COATING (APPLY ACROSS COATING APERTURE)

S1: PROTECTED SILVER
 Ravg >98% 500-800nm @ 0° AOI
 Ravg >97% 2,000-10,000nm @ 0° AOI


S2: NONE

4. ARROW ON EDGE POINTING TOWARDS SURFACE S1.

5. FINE GROUND SURFACE



**FOR INFORMATION ONLY:
 DO NOT MANUFACTURE PARTS TO THIS DRAWING**

	S1	S2	EFL (AT 587.6nm)	NA	 Edmund Optics®	
SHAPE	PLANO	PLANO				
SURFACE ACCURACY AT 632.8nm	1/10 WAVE	NA			TITLE 1/10λ Flat Zerodur 0.5" Dia. Protected Silver	
SURFACE QUALITY	60 - 40	COMMERCIAL POLISH	BFL (AT 587.6nm)	NA		
CLEAR APERTURE	∅ 11.4	∅ 11.4			DWG NO 43327-577	
BEVEL MAX FACE	0.5 x 45°	0.5 x 45°	ALL DIMS IN	mm		