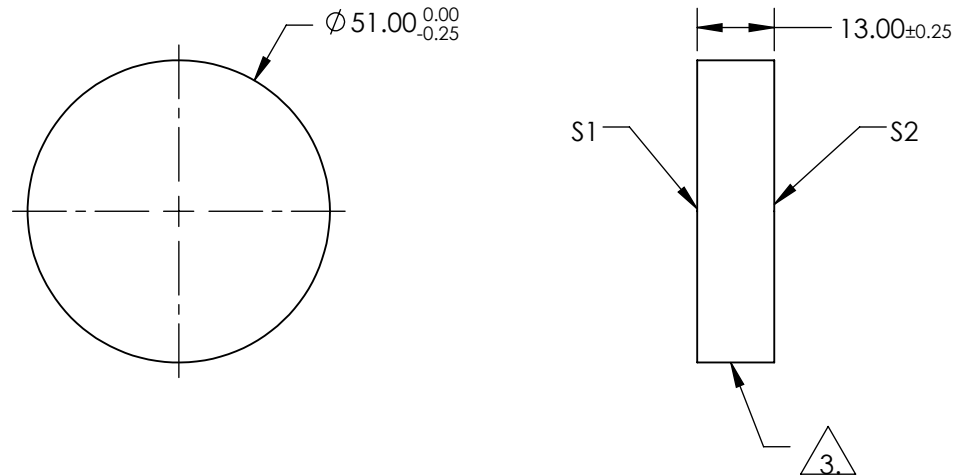
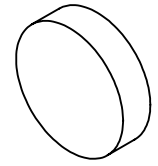


NOTES:

1. SUBSTRATE:  
BOROFLOAT®
2. COATING SPECIFICATION:  
S1: Protected Aluminum (400-2000nm)  
R(AVG) >85% @ 400 - 700nm  
R(AVG) >90% @ 400 - 2000nm

3. FINE GROUND SURFACE

4. ROHS COMPLIANT



**FOR INFORMATION ONLY:  
DO NOT MANUFACTURE  
PARTS TO THIS DRAWING**

SPECIFICATIONS SUBJECT TO CHANGE WITHOUT NOTICE  
DIMENSIONS ARE FOR REFERENCE ONLY

	S1	S2
SHAPE	PLANO	PLANO
SURFACE QUALITY	60-40	COMMERCIAL POLISH
CLEAR APERTURE	Ø49.09	N/A
BEVEL	PROTECTIVE AS NEEDED	PROTECTIVE AS NEEDED



ALL DIMS IN

mm

**EO**® Edmund Optics®

TITLE

51mm Dia. Protected Aluminum, λ/4 Mirror

DWG NO

33511

SHEET  
1 OF 1