

NOTES:

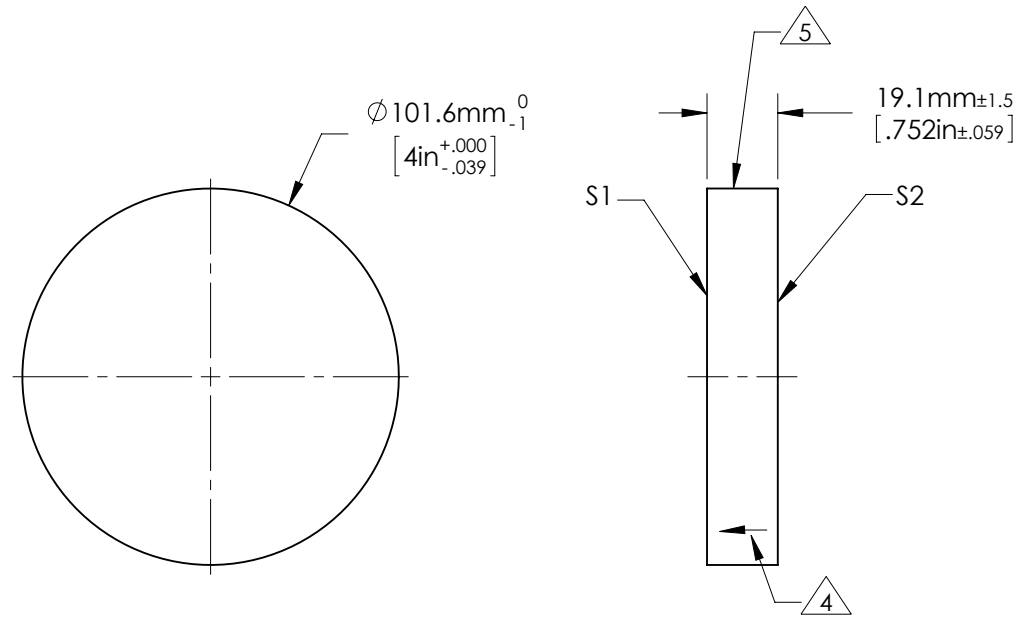
1. ALLOWABLE OPTICAL MATERIAL:  
SCHOTT: ZERODUR 542/562
2. SURFACE S2 TO BE PARALLEL WITH SURFACE S1 TO < 3 ARCMIN
3. COATING (APPLY ACROSS COATING APERTURE)

S1: PROTECTED ALUMINUM  
Ravg ≥ 85% 400-700nm @ 0° AOI


S2: NONE

4. ARROW ON EDGE POINTING TOWARDS SURFACE S1.

5. FINE GROUND SURFACE



**FOR INFORMATION ONLY:  
DO NOT MANUFACTURE PARTS TO THIS DRAWING**

|                             |           |                   |                     |    |   |   |
|-----------------------------|-----------|-------------------|---------------------|----|---|---|
|                             | S1        | S2                | EFL<br>(AT 587.6nm) | NA |  <b>Edmund Optics®</b> |   |
| SHAPE                       | PLANO     | PLANO             |                     |    |   |   |
| SURFACE ACCURACY AT 632.8nm | 1/10 WAVE | NA                | BFL<br>(AT 587.6nm) | NA | TITLE   | 1/10λ Optical Flat, Zerodur, 4inch Diameter<br>PROTECTED ALUMINUM |
| SURFACE QUALITY             | 60 - 40   | COMMERCIAL POLISH |                     |    | DWG NO  | 31392-522   |
| CLEAR APERTURE              | ∅ 91.4    | ∅ 91.4            | ALL DIMS IN         | mm |   |   |
| BEVEL MAX FACE              | 1.0 x 45° | 1.0 x 45°         |                     |    |   |   |