

TECHSPEC® 0.25X MercuryTL™ Liquid Lens Telecentric Lens

#36-189



0.24X MercuryTL™ Liquid Lens Telecentric Lens, #36-189

TECHSPEC® MercuryTL™ Liquid Lens Telecentric Lenses combine the capabilities of a telecentric lens with the flexibility of a liquid lens. These lenses combine the unique feature of telecentric lenses, eliminating parallax (or perspective) error, with a liquid lens, allowing for the focus to be electronically controlled. This combination provides quick working distance adjustment, while maintaining telecentricity, distortion, and image performance throughout the entire working distance range. TECHSPEC® MercuryTL™ Liquid Lens Telecentric Lenses are ideal for gauging, measurement, and placement applications where quick depth of field adjustment is required.

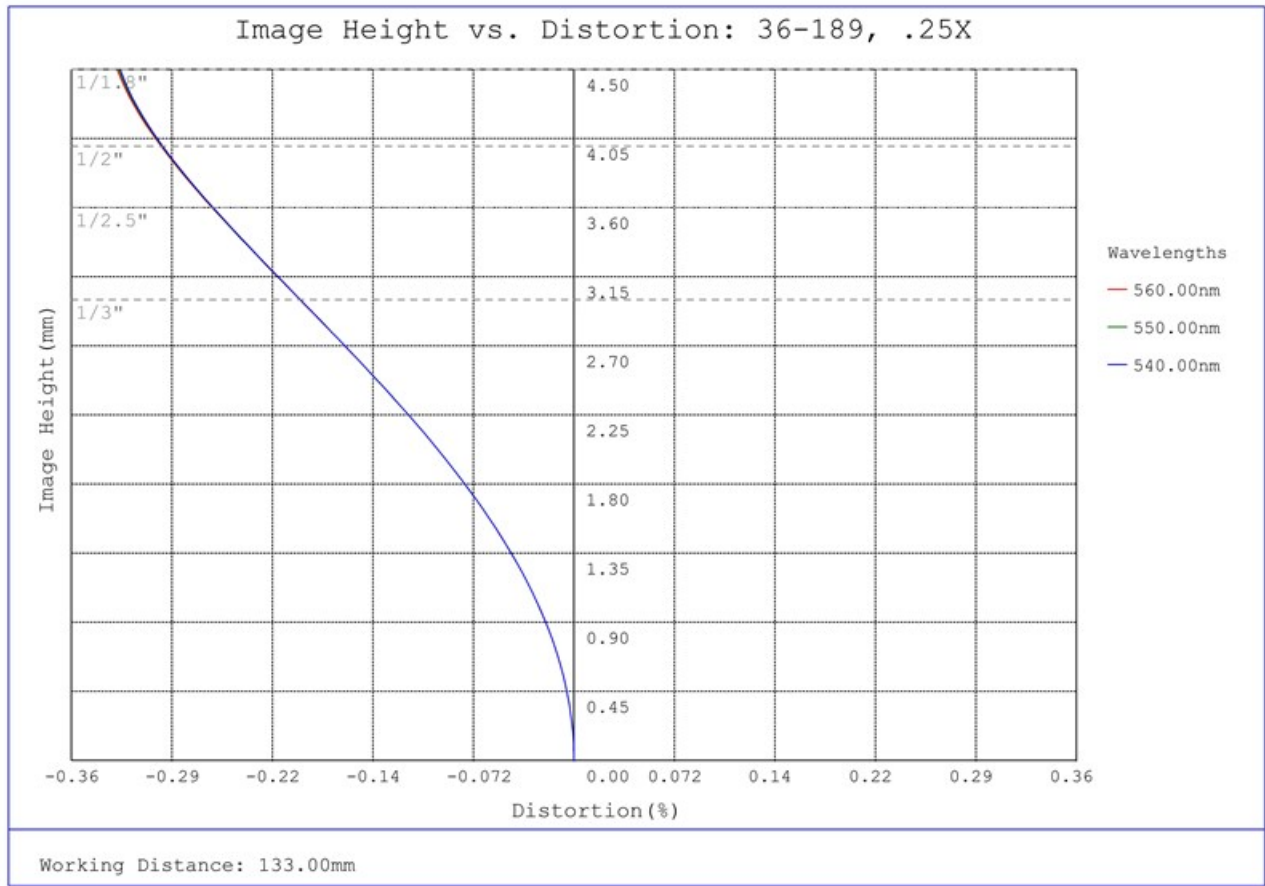
Length excluding Threads (mm):	155.50
Stock No. of Mounting Clamp:	#56-870 Sold Separately
Note:	Specs are at middle WD. Field of Views are specified at the mid-curvature range of the liquid lens. Field of View Range and Working Distance Range are specified over the applicable minimum and maximum curvature range of the liquid lens.
Typical Telecentricity @ 588nm (°):	<0.051
Typical Distortion @ 588nm (%):	<0.4
Mounting Diameter (mm):	48
Type:	Telecentric Lens
FOV @ Max Sensor Format, H x V (mm):	28.8 x 21.6

Optical

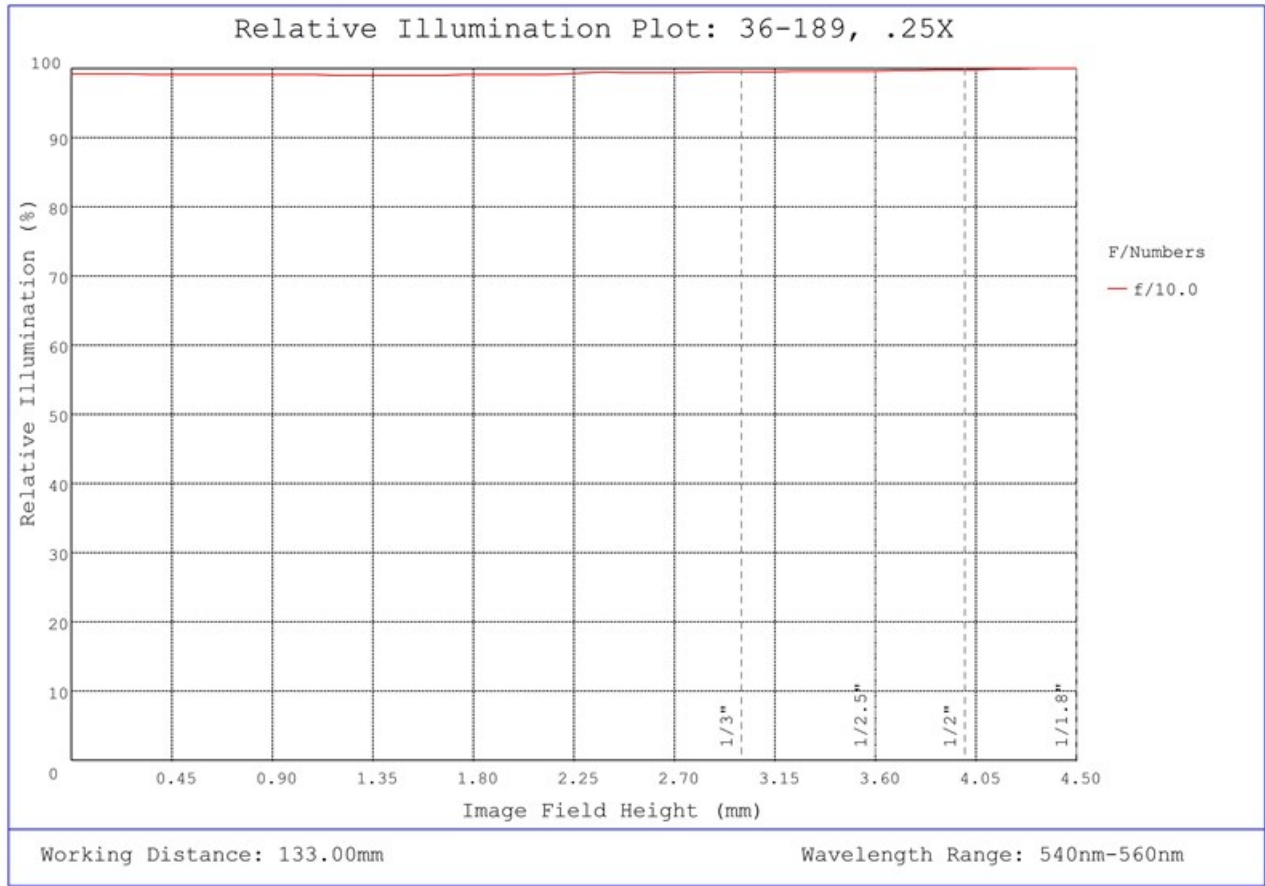
Horizontal Field of View, 1/2" Sensor:	26.5mm
Horizontal Field of View, 1/3" Sensor:	19.9mm
Horizontal Field of View, 1/1.8" Sensor:	28.8mm
Primary Magnification PMAG:	0.25X
Maximum Sensor Format:	1/1.8"
Working Distance (mm):	91 - 173
Aperture (f/#):	f/10
Lens Wavelength Range:	VIS

Mechanical

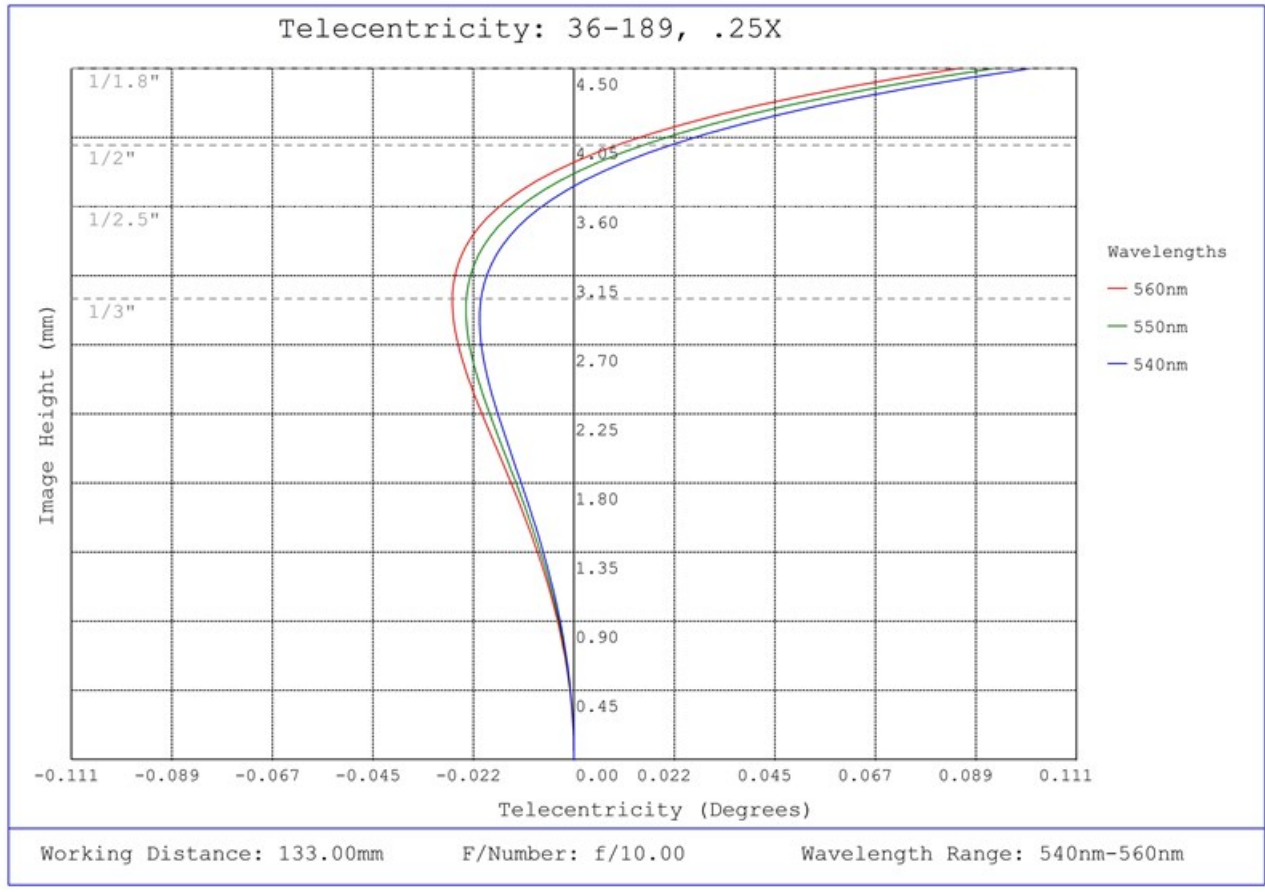
Filter Thread:	M46 x 0.75 (Female)
Weight (g):	266
Mount:	C-Mount



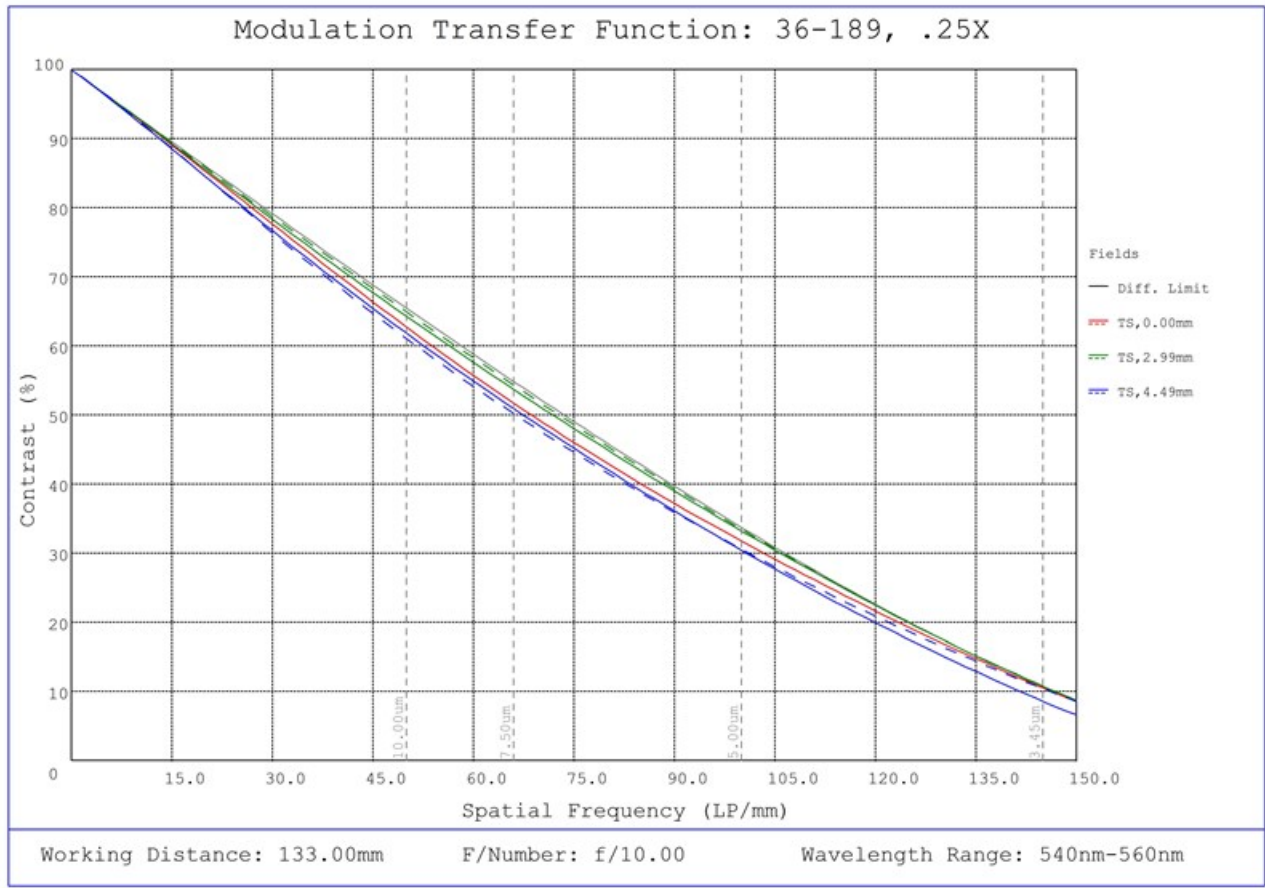
#36-189, 0.25X MercuryTL™ Liquid Lens Telecentric Lens, Distortion Plot



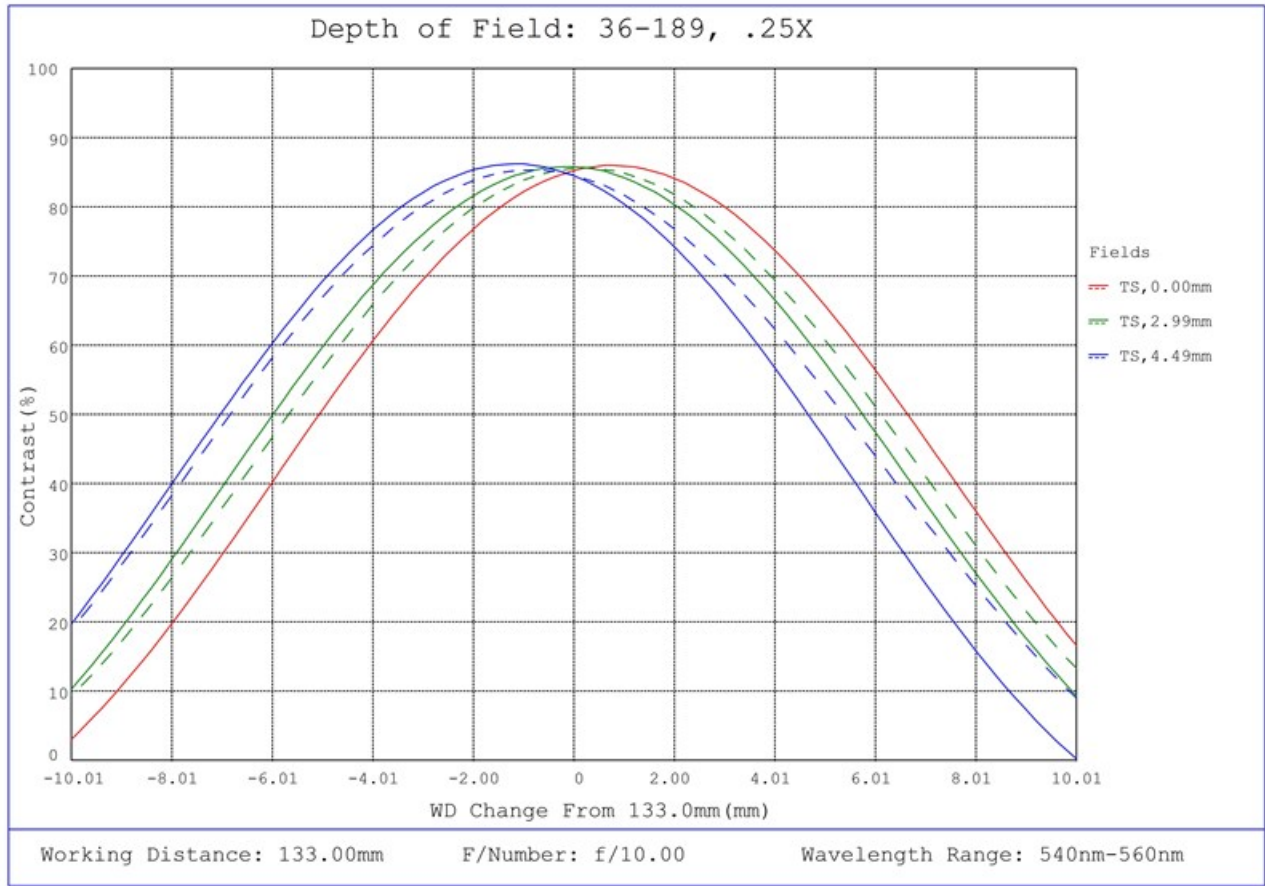
#36-189, 0.25X MercuryTL™ Liquid Lens Telecentric Lens, Relative Illumination Plot



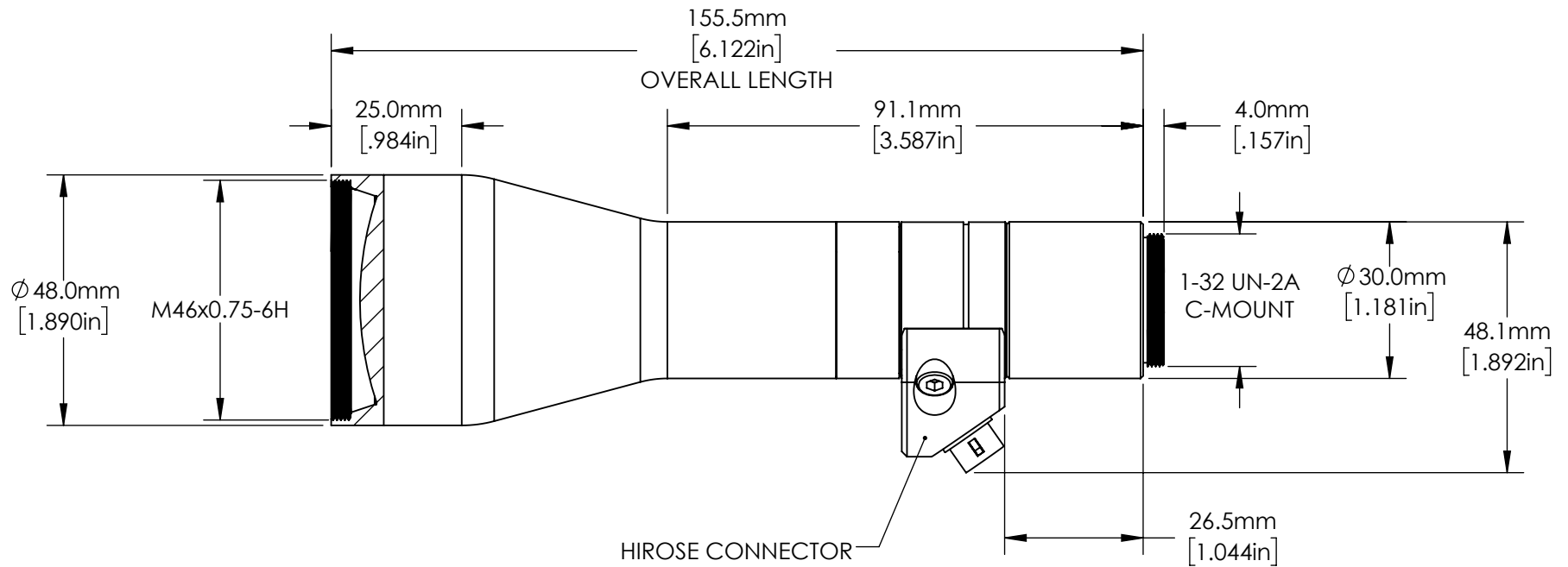
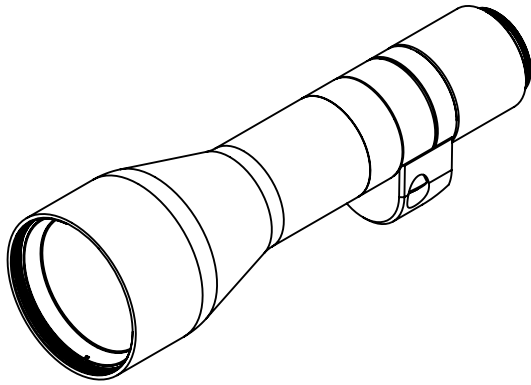
#36-189, 0.25X MercuryTL™ Liquid Lens Telecentric Lens, Telecentricity Plot



#36-189, 0.25X MercuryTL™ Liquid Lens Telecentric Lens, Modulated Transfer Function (MTF) Plot, 133mm Working Distance, f10



#36-189, 0.25X MercuryTL™ Liquid Lens Telecentric Lens, Depth of Field Plot, 133mm Working Distance, f10



**FOR INFORMATION ONLY:
DO NOT MANUFACTURE
PARTS TO THIS DRAWING**

SPECIFICATIONS SUBJECT TO
CHANGE WITHOUT NOTICE
DIMENSIONS ARE FOR
REFERENCE ONLY

EO® Edmund Optics®

THIRD ANGLE PROJECTION		TITLE	0.25X MercuryTL™ Liquid Lens Telecentric Lens	
ALL DIMS IN	mm	DWG NO	36189	SHEET 1 OF 1



June 05, 2023

To Whom It May Concern,

This document certifies that the product stated below has been reviewed as requested by Edmund Optics:

<i>Stock No.</i>	<i>Description</i>
36-189	0.25X MercuryTL™ Liquid Lens Telecentric Lens

This item is EU RoHS (2011/65/EU) compliant without the use of exemptions.

This certification means that:

- EO's suppliers have confirmed the material composition of this product.
- EO has implemented rigorous procedures to document this compliance.
- The information provided may, or may not, be based upon actual test data, or on information from our Vendors, Raw Material Suppliers or Subcontractors.

Jay Budd, Director of Corporate Compliance

June 05, 2023

Edmund Optics Inc. - 101 E Gloucester Pike, Barrington, NJ 08007 | 1-800-363-1992 | Compliance@edmundoptics.com



June 05, 2023

<i>Stock No.</i>	<i>Description</i>
36-189	0.25X MercuryTL™ Liquid Lens Telecentric Lens

Edmund Optics certifies that all articles included in this shipment are in compliance with the terms and conditions of this order. The company also certifies that the articles included in this shipment are in accordance to all agreed upon specifications and quality assurance provisions. Please call 1-800-363-1992 should any questions arise from this shipment.

A handwritten signature in black ink, appearing to read 'Jeff Harvey'.

Jeff Harvey- EVP of Operations