

## **TECHSPEC® 3X, 65mm WD, In-Line CompactTL™ Telecentric Lens**

#67-314



65mm WD, 3X, In-Line Version (Left) and VIS Version (Right)

TECHSPEC® CompactTL™ Telecentric Lenses are designed for applications with tight space constraints due to their ultra-compact design. These lenses feature a 2/3" sensor format and a variety of different working distance and magnification options. From single unit to high volume implementation, these lenses provide a great price to performance ratio. TECHSPEC® CompactTL™ Telecentric Lenses are perfect for integration into gauging systems due to their excellent telecentricity and low distortion. The fixed iris and lockable focus make these lenses ideal for implementation into factory floors and assembly lines, as they will remain fixed over time.

Length excluding Threads (mm):	79.40
Working Distance Tolerance (mm):	±1
Front Thread:	M16 x 0.5 (Female)
Manufacturer:	Edmund Optics®
Coating:	λ/4 MgF <sub>2</sub>
Compatible Light Guide/Source:	1/4" (0.312") and 1/8" (0.187")
Depth of Field (mm):	±0.12mm (20% @ 20 lp/mm)

## Optical

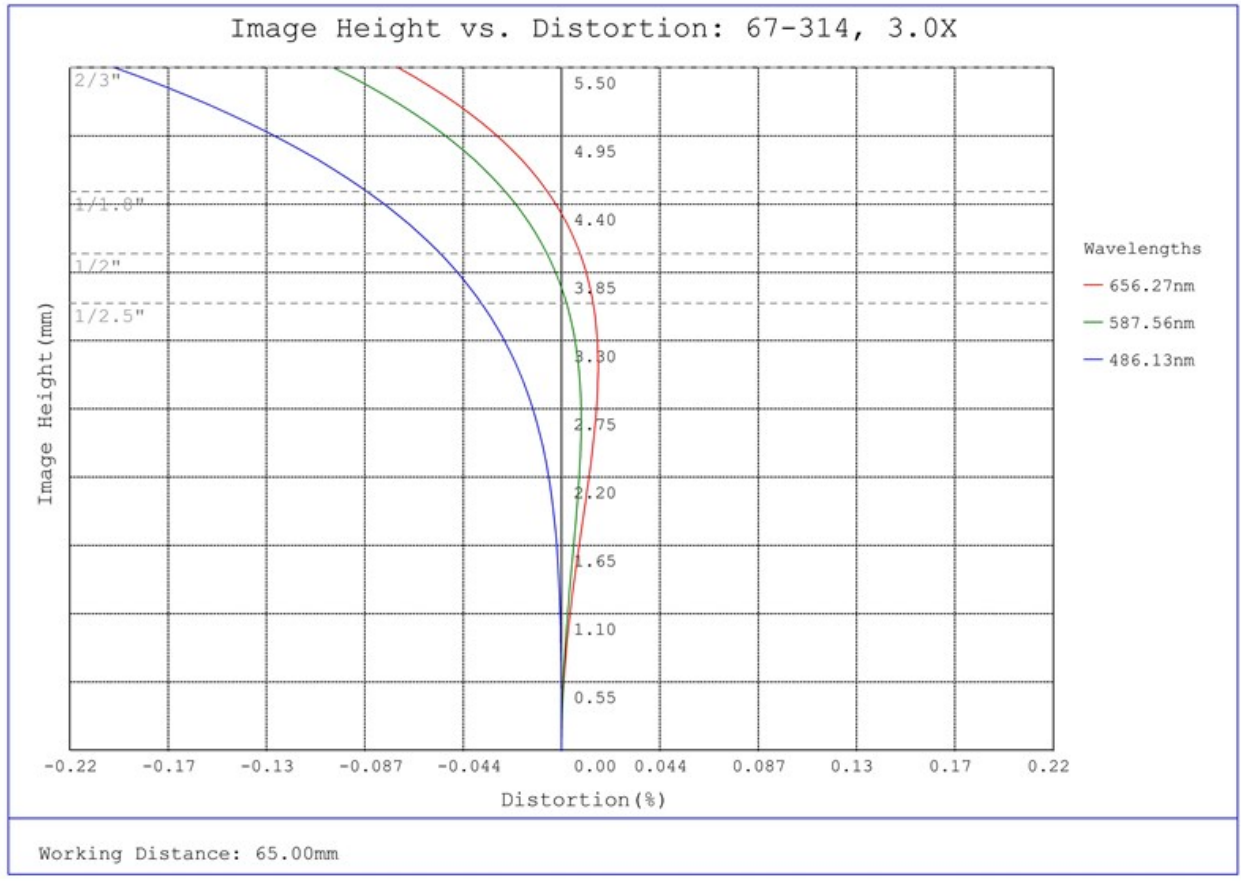
Horizontal Field of View, 1/2" Sensor:	2.1mm
Horizontal Field of View, 2/3" Sensor:	2.9mm
Horizontal Field of View, 1/3" Sensor:	1.6mm
Numerical Aperture NA, Object Side:	0.068
Typical Telecentricity @ 588nm (°):	0.091
Typical Distortion @ 588nm (%):	0.0821
Primary Magnification PMAG:	3X
Maximum Sensor Format:	2/3"
Working Distance (mm):	65
Aperture (f/#):	f/21.9
FOV @ Max Sensor Format, H x V (mm):	2.9 x 2.2
Lens Wavelength Range:	VIS

## Mechanical

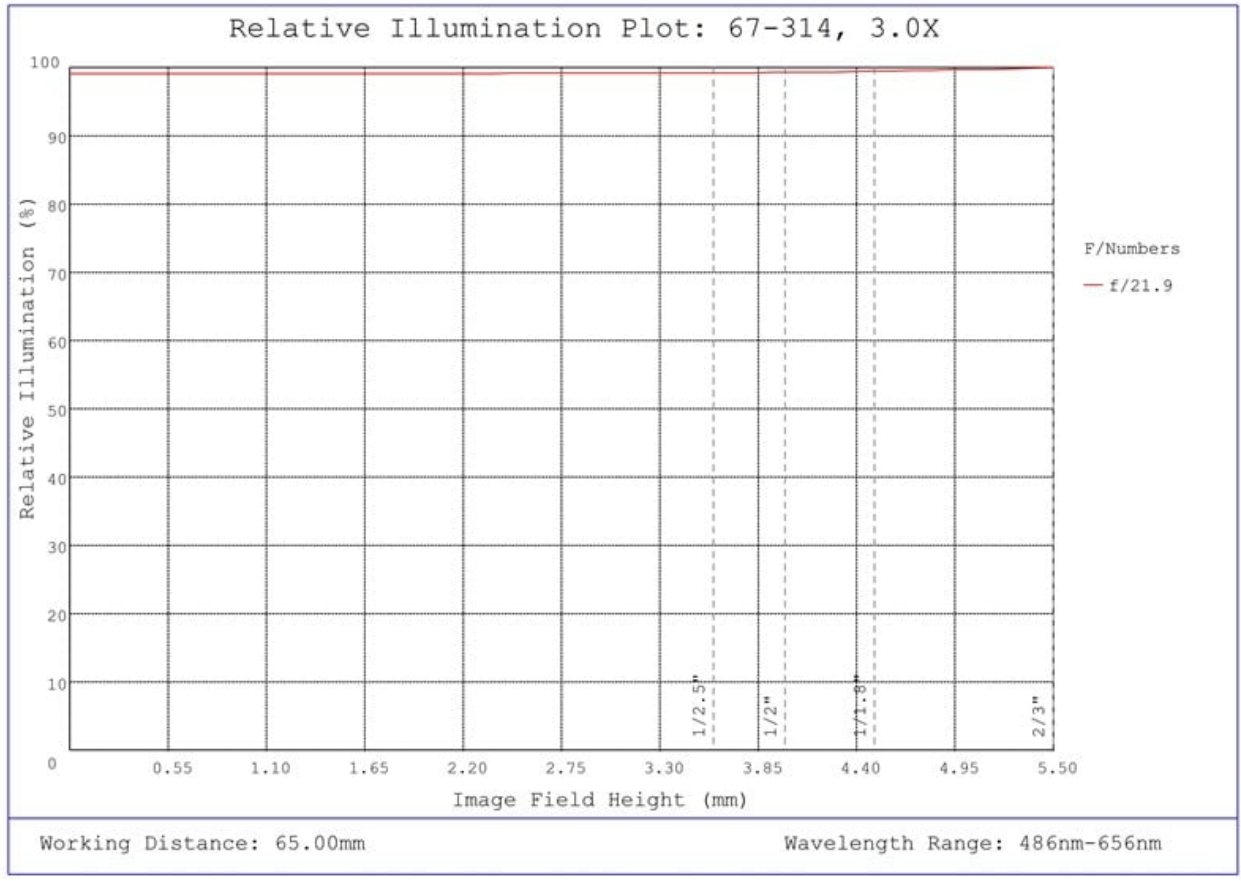
Filter Thread:	M25.5 x 0.50 (Female) with Required Adapter <a href="#">#88-212</a> Sold Separately
Maximum Diameter (mm):	18.00
Weight (g):	56
Number of Elements (Groups):	6 (4)
Mount:	C-Mount

## General

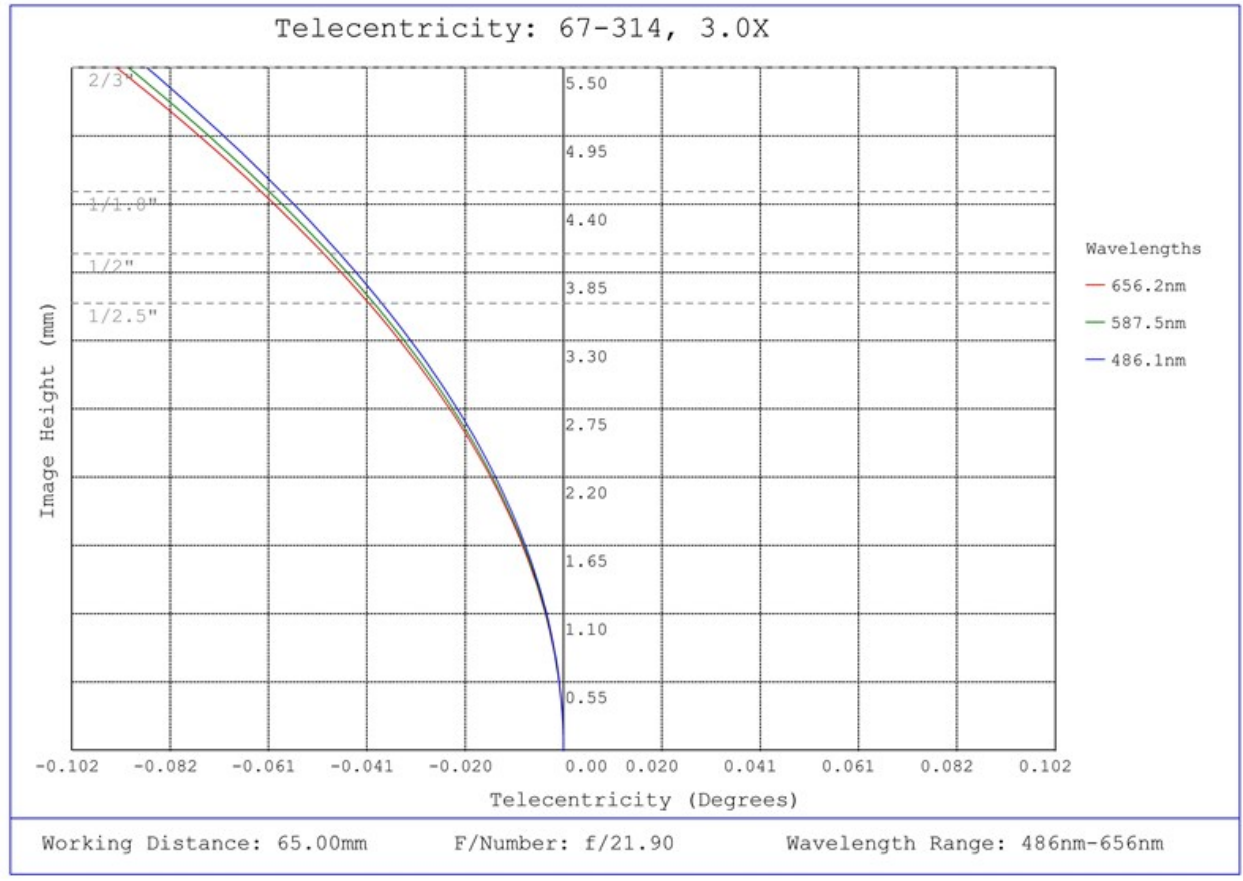
Type:	Telecentric Lens
Style:	In-Line Illumination



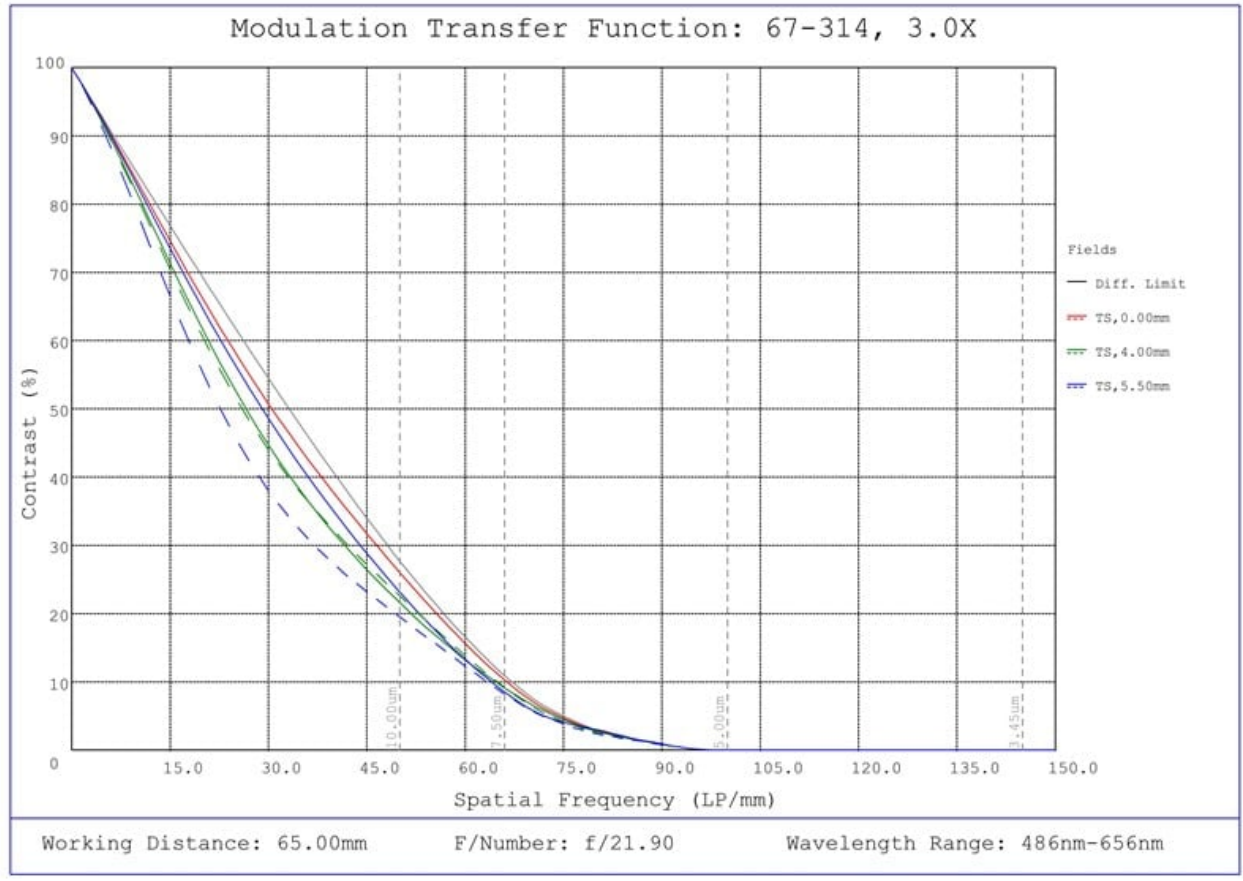
#67-314, 3X, 65mm WD, In-Line CompactTL™ Telecentric Lens, Distortion Plot



#67-314, 3X, 65mm WD, In-Line CompactTL™ Telecentric Lens, Relative Illumination Plot



#67-314, 3X, 65mm WD, In-Line CompactTL™ Telecentric Lens, Telecentricity Plot



#67-314, 3X, 65mm WD, In-Line CompactTL™ Telecentric Lens, Modulated Transfer Function (MTF) Plot, 65mm Working Distance, f21.9



#67-314, 3X, 65mm WD, In-Line CompactTL™ Telecentric Lens, Depth of Field Plot, 65mm Working Distance, f21.9



September 30, 2023

To Whom It May Concern,

This document certifies that the product stated below has been reviewed as requested by Edmund Optics:

<i>Stock No.</i>	<i>Description</i>
67-314	3X, 65mm WD, In-Line CompactTL™ Telecentric Lens

This item is EU RoHS (2015/863/EU) compliant without the use of exemptions.

This certification means that:

- EO's suppliers have confirmed the material composition of this product.
- EO has implemented rigorous procedures to document this compliance.
- The information provided may, or may not, be based upon actual test data, or on information from our Vendors, Raw Material Suppliers or Subcontractors.



Jay Budd, Director of Corporate Compliance  
September 30, 2023

Edmund Optics Inc. - 101 E Gloucester Pike, Barrington, NJ 08007 | 1-800-363-1992 | [Compliance@edmundoptics.com](mailto:Compliance@edmundoptics.com)





September 30, 2023

To Whom It May Concern,

This document certifies that the product stated below has been reviewed as requested by Edmund Optics:

<i>Stock No.</i>	<i>Description</i>
67-314	3X, 65mm WD, In-Line CompactTL™ Telecentric Lens

This item does not contain any of the substances listed on the Reach SVHC list as of 25 June 2020 in quantities exceeding 0.1% weight by weight.

Please note the following:

- Entry 11 of Annex V of the REACH regulation as amended by regulation 987/2008, exempts “non-hazardous” glass components from registration.
- Items considered to be packing materials and which do not form part of, or are not required for the operation of, the product, are not considered to be within scope of this declaration.
- EO does not routinely analyze products for substances not purposely added or specified within the design specifications, drawings and assembly procedures.

This certification means that:

- EO's suppliers have confirmed the material composition of this product.
- EO has implemented rigorous procedures to document this compliance.
- The information provided may, or may not, be based upon actual test data, or on information from our Vendors, Raw Material Suppliers or Subcontractors.



Jay Budd, Director of Corporate Compliance  
September 30, 2023

Edmund Optics Inc. - 101 E Gloucester Pike, Barrington, NJ 08007 | 1-800-363-1992 | [Compliance@edmundoptics.com](mailto:Compliance@edmundoptics.com)



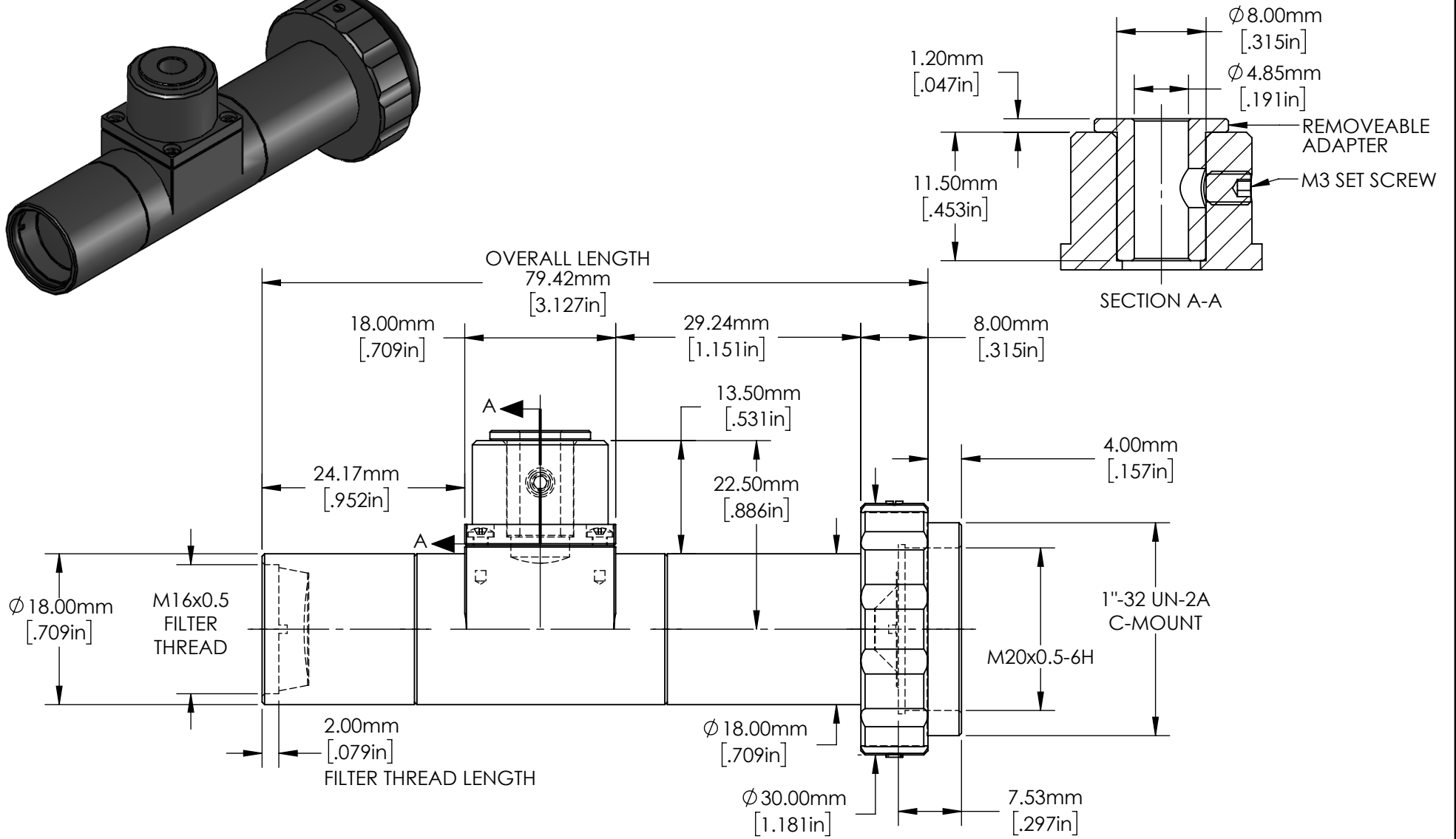
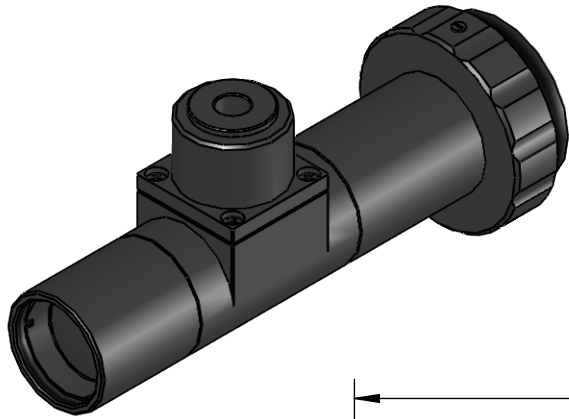
September 30, 2023

<i>Stock No.</i>	<i>Description</i>
67-314	3X, 65mm WD, In-Line CompactTL™ Telecentric Lens

Edmund Optics certifies that all articles included in this shipment are in compliance with the terms and conditions of this order. The company also certifies that the articles included in this shipment are in accordance to all agreed upon specifications and quality assurance provisions. Please call 1-800-363-1992 should any questions arise from this shipment.



Jeff Harvey- EVP of Operations



***FOR INFORMATION ONLY:***  
**DO NOT MANUFACTURE  
PARTS TO THIS DRAWING**

SPECIFICATIONS SUBJECT TO CHANGE  
WITHOUT NOTICE.  
DIMENSIONS ARE FOR REFERENCE ONLY.  
FOR DETAILED SPECIFICATIONS,  
PLEASE REFER TO THE SPEC SHEET.



**Edmund Optics®**

TITLE	3X, 65mm WD, In-Line CompactTL™ Telecentric Lens	
DWG NO	67314	SHEET 1 OF 1

Enable 3D View